



ALUMINUM DOOR FRAMES

& HARDWARE



(310) 839-5215

WIDE PROFILE

NARROW PROFILE

Material Length: 98 7/16"

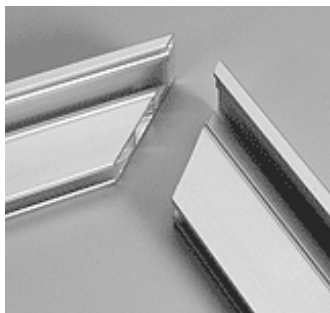
In Stock!

- Easy Fabrication, only a mitre cut is needed
- Aluminum saw blade recommended for cut
- Easy to assemble - no special drilling for hinges
- Use w/4mm thick glass* or panels (1/8" to 5/32")

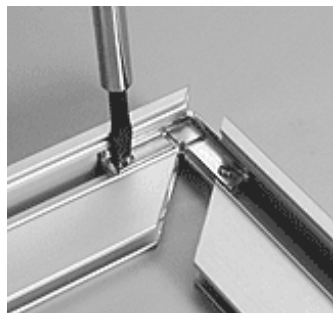
(sizes shown are metric. 1" = 25.4 mm) * glass not included

Frame kit: 1 frame, 1 gasket, 1 profile

Hardware kit: 2 hinges, 4 corner braces



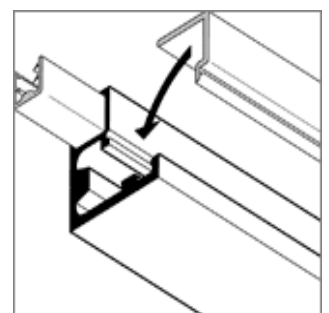
1. Mitre the ends.



2. Slide brackets into ends.



3. Slide hinges into sides



4. Plastic Gasket:
(for glass or panel inserts)

5. Decorative profile:
(for mounting on inside of door frame.)

WWW.STUDIOSUPPLIER.COM
6322 W. Slauson Ave. Culver City, CA 90230

- Full Overlay
- Half Overlay or
- Inset Mounting