



Price Page

Adams Rite - Electric Strikes

Vendor Site

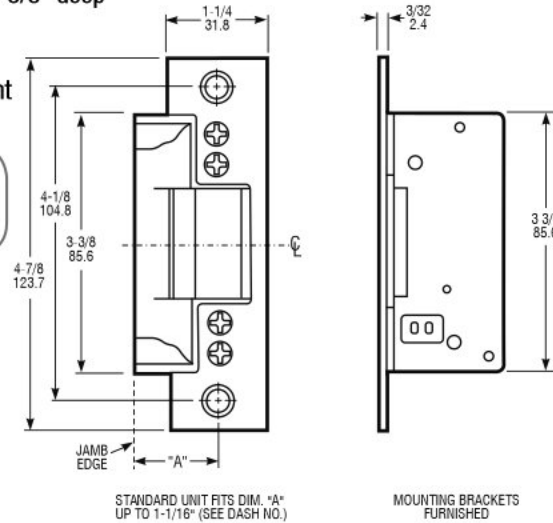
7140 - Series

Product Description & Features

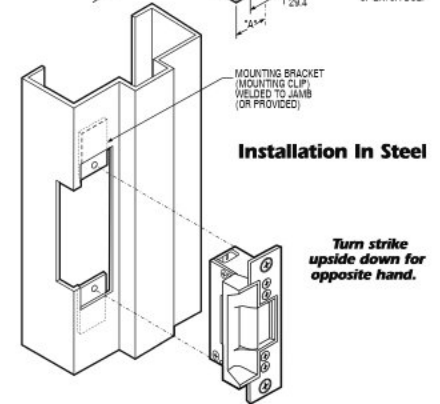
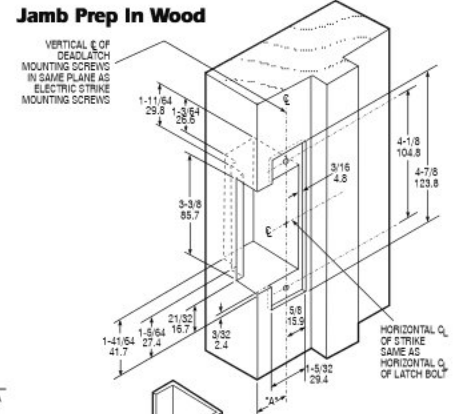
- For use with key-in lever latches
- **Lip Extension:** 1.06" from door line to jamb edge
- Faceplate measure 1-1/4" x 4-7/8"
- ANSI/BHMA E09321 Grade 1
- **Strike Opening:** 5/8" x 1-7/16" x 1/2" deep bolt retainer jaw is made of stainless steel.
- **Case:** Approximately 1" x 3-3/8" x 1-5/8" deep
- Fail secure operation
- **Voltage:** 24 VAC / 24 DC continuous
24 VAC / 24VDC intermittent

Stocked Product

Finishes: Aluminum, Dark Bronze



Jamb Prep In Wood



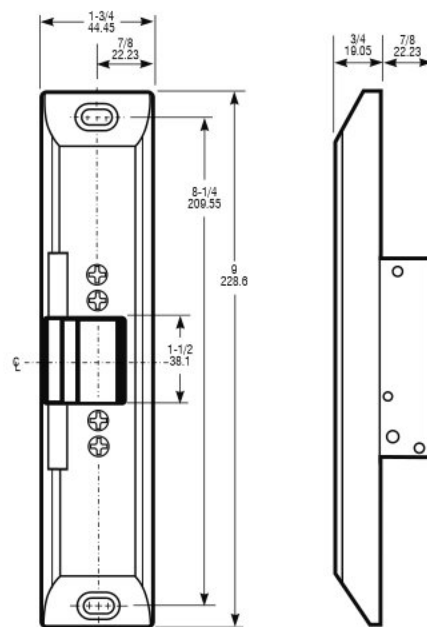
74R1 - Series

Product Description & Features

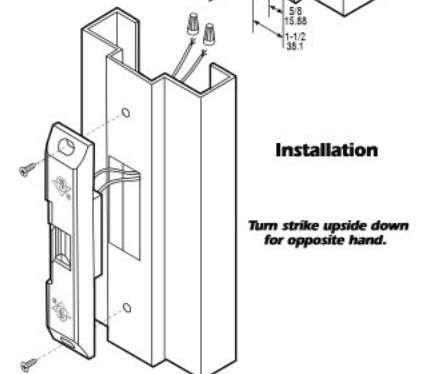
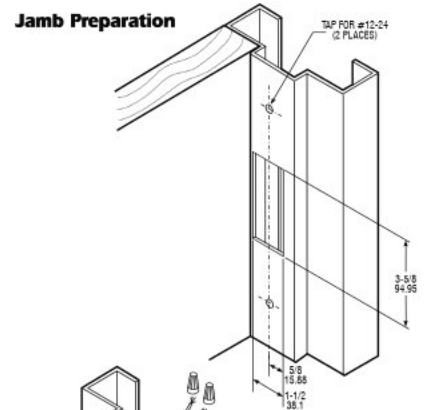
- For use with Von Duprin, Monarch, Precision and Pullman latches
- **Lip Extension:** 1.06" from door line to jamb edge
- Faceplate measure 1-3/4" x 9-3/4"
- ANSI/BHMA E09321 Grade 1
- **Strike Opening:** 5/8" x 1-7/16" x 9/16" deep bolt retainer jaw is made of stainless steel.
- **Case:** Approximately 1" x 3-3/8" x 1-5/8" deep
- Fail secure operation
- **Voltage:** 24 VAC / 12 VDC intermittent
24 VAC / 24 DC continuous

Stocked Product

Finishes: Aluminum, Dark Bronze



Jamb Preparation



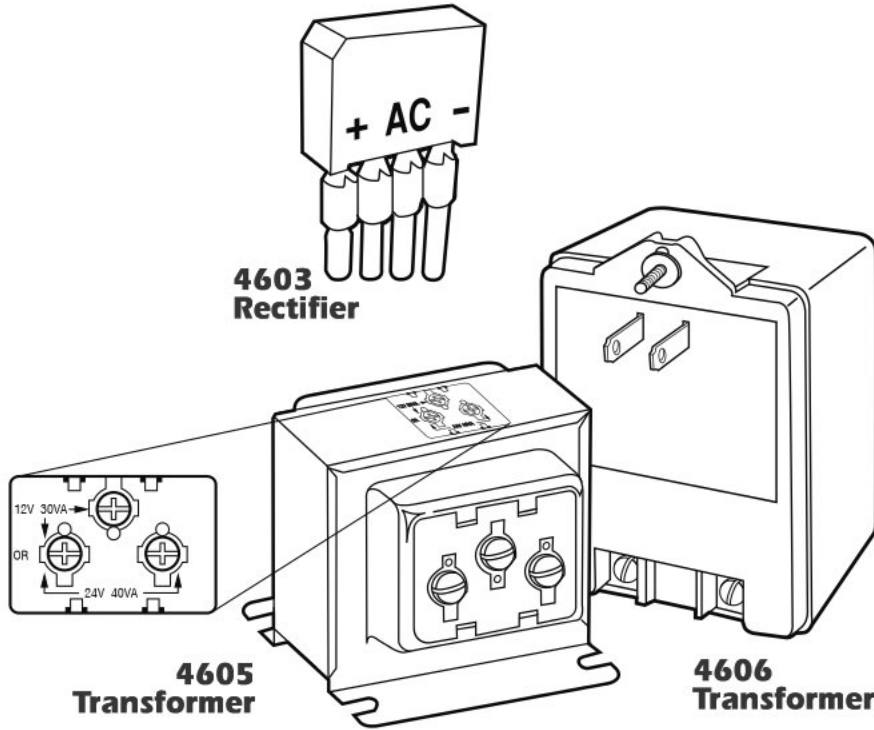


Price Page

Adams Rite - *Electric Strikes*

Vendor Site

Accessories



RECTIFIER

4603 Rectifier

Converts low voltage AC current to DC of same voltage. Installs in low voltage line between transformer and strike. Full hyphen bridge type. Rated 2 amps. (200 PIV).

AC Continuous

AC Continuous duty strikes are supplied with a 4603 Rectifier attached to the solenoid leads. These are silent operation strikes -- without the buzzing sound. They use a DC solenoid, but the externally attached full-wave bridge rectifier allows them to be connected to AC power.

TRANSFORMER

4605

Converts 120VAC to 12VAC/24VAC. Rated 40 Volt-amp output assures plenty of power for strike release.

4606

Converts 120VAC current to 24VAC. Plugs into standard wall outlet.



Price Page

Adams Rite - Exit Devices

Vendor Site

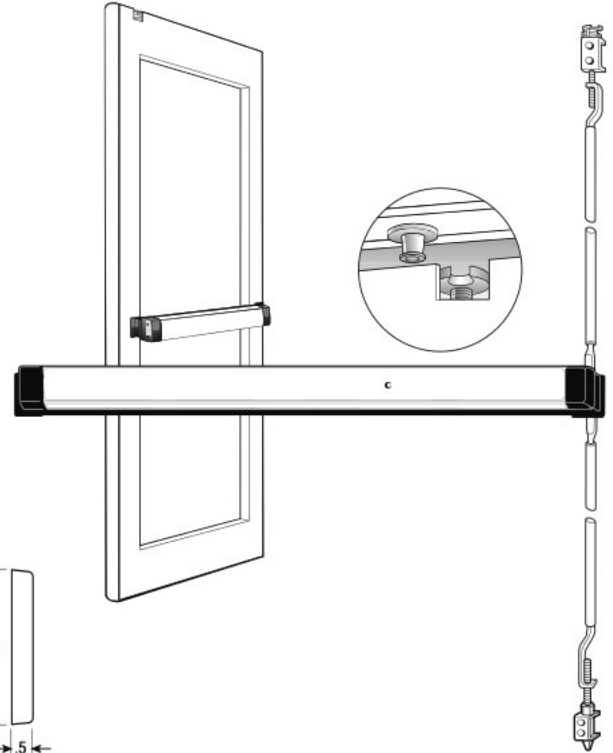
8600 - Series Narrow Stile Concealed Vertical Rod Device

Dimensions & Specifications:

- ANSI/BHMA E09321 Grade 1
- **Handing:** Device is non-handed
- **Bar Height:** Adjustable from 30" to 44"
- **Projection:** 2-5/8" when fully projected
1-5/8" when dogged
- **Stile Width:** 2" minimum
- **Door Height:** Adjustable for doors up to 66" above selected bar height

Stocked Product

- **Sizes:** for 36" width door
- **Finishes:** Aluminum and Duro



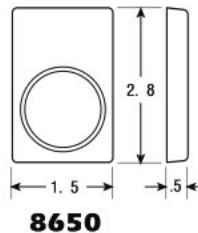
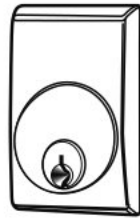
Accessories Escutcheon

Required to mount any make standard Mortise cylinder, with MS cam, on outside of door.

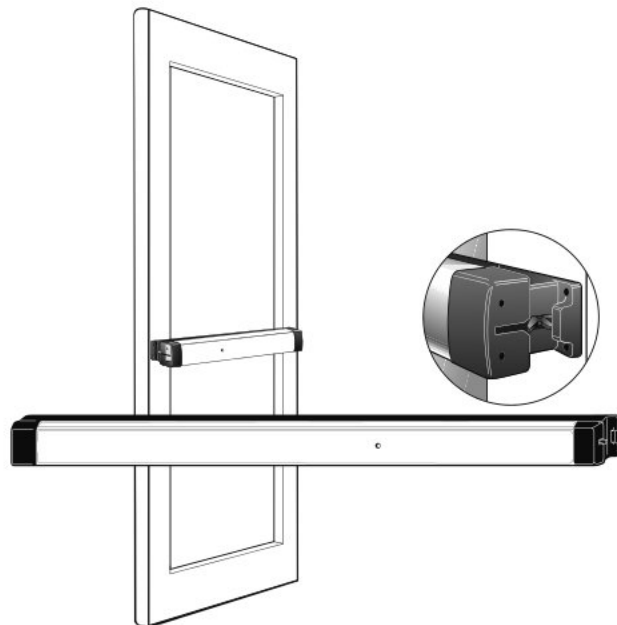
- **Less Mortise Cylinder**

Stocked Product

Finish: Aluminum, Duro



8800 - Series Rim Exit Device For Aluminum Doors



Dimensions & Specifications:

- ANSI/BHMA E09321 Grade 1
- **Handing:** Device is non-handed
- **Door Thickness:** Suits 1-3/4" up to 2-1/4"
- **Stile Width:** 8800 - 2" for aluminum style

Features:

- Patented "standard" bolt interlocks door to frame.
- Push bar is anodized or clad not plated.
- Unobstrusive design for clean sight lines.

Stocked Product

- **Sizes:** for 36" width door
- **Finishes:** Aluminum and Duro



Adams Rite - Exit Device Options & Accessories

Electric Latch Retraction [Price Page](#)

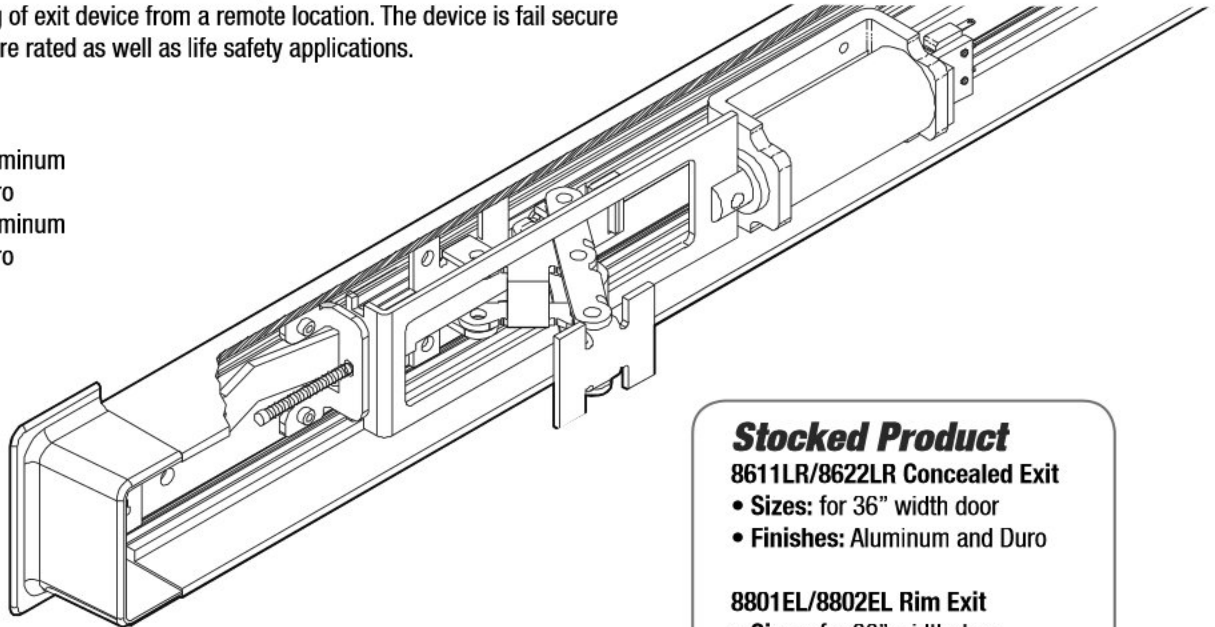
[Vendor Site](#)

For all Adams Rite Exit Device

The EL or LR option uses a solenoid mounted in push bar for instantaneous unlocking and locking of exit device from a remote location. The device is fail secure and can be used on fire rated as well as life safety applications.

Note

- 8611LR..... for Aluminum
- 8622LR..... for Duro
- 8801EL..... for Aluminum
- 8802EL..... for Duro



Stocked Product

8611LR/8622LR Concealed Exit

- Sizes: for 36" width door
- Finishes: Aluminum and Duro

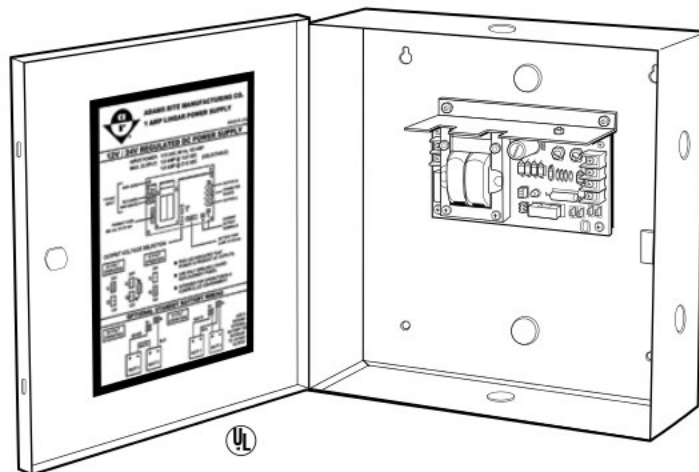
8801EL/8802EL Rim Exit

- Sizes: for 36" width door
- Finishes: Aluminum and Duro

Note: Power Supply available - F/8600 series, P/N PSLR

PSLR Power Supply

This Adams Rite Power Supply is required for the Electric Latch Retraction option on the Vertical Rod and Mortise types of exit devices. It operates at 28 VDC to power up to two LR exit devices in sequential or independent modes. The PS-LR is also equipped with a fire alarm disconnect interface circuitry.





Adams Rite - Store Front Hardware Accessories

MS4043 Series **Cylinder Guard**

[Price Page](#)

[Vendor Site](#)

Security Ring

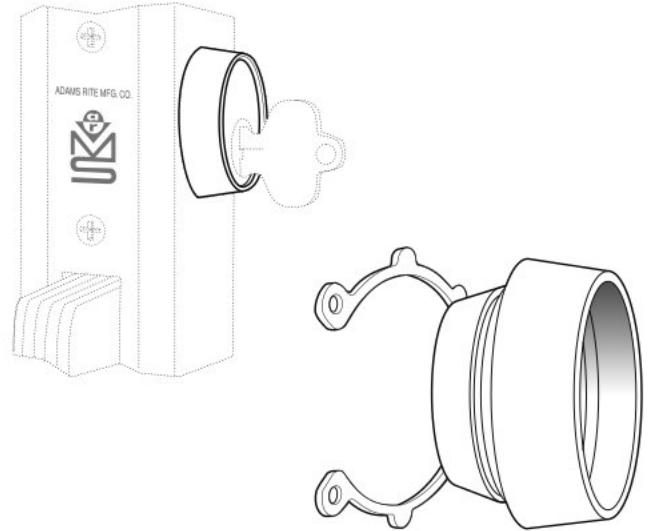
Made of hardened steel. Free-swiveling when properly installed.

Retainer Ring

Hardened steel, plated for corrosion resistance. Permits security ring to swivel.

Stocked Product

Finishes: Aluminum and Dark Bronze





Adams Rite - Store Front Hardware Accessories

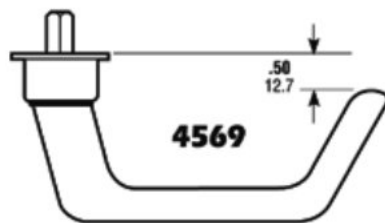
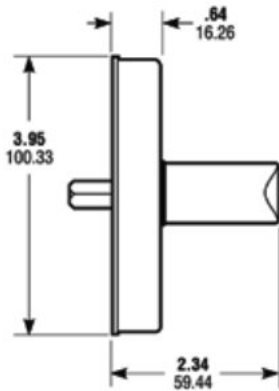
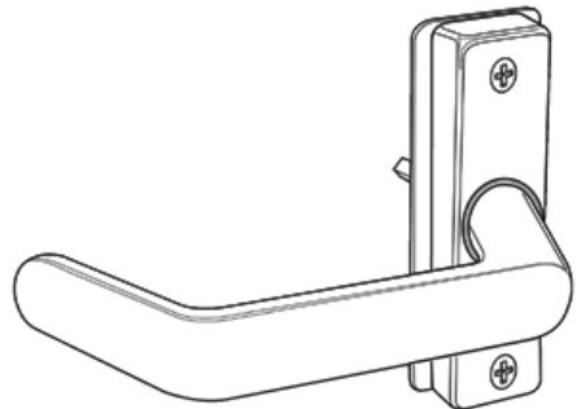
4569 Eurostyle Deadlatch Handle

Price Page

Vendor Site

Product Description & Features

- **Escutcheons:** 1-3/8" x 4", designed to match the narrow stile door's clean lines. Steel mounted base is secured by hidden screws and has two large helical compression springs. (One becomes a "spare" once handling is given.) A 1/4" square heat-treated spindle is part of escutcheon assembly, which interlocks with the cam plug. Finished to match lever.
- **Function:** Designed to operate 4500/4700/4900 Series latches by a natural downward hand movement. These handles incorporate an activator cam disc that mounts on the handle escutcheon and fits solidly into the cylinder hole of the latch. Not intended for use as a door pull.
- **Cam Plugs:** Secured in latch body by cylinder setscrew, plug is also rigidly tied to handle escutcheon by hardened steel pins. Handing can be reversed by removing a spring clip, "flopping" the cam and replacing the clip.
- **Levers:** Lever of cast aluminum, in choice of 130 Satin Aluminum or 121 Dark "Bronze". Modern European styling offers a generous hand grip with shank offset away from the narrow stile jamb for hand safety. 4569 has return end to meet anti-snag code requirements.



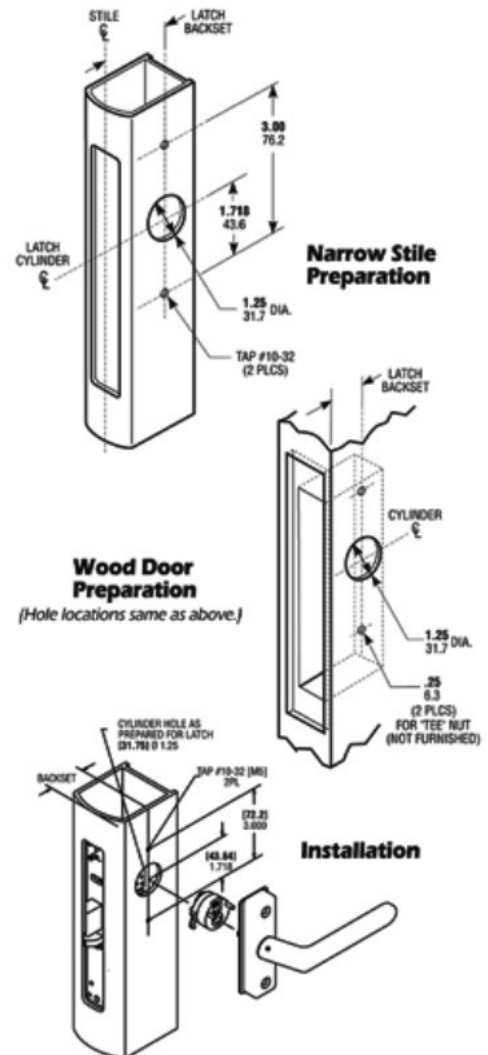
REVERSIBLE 4580
Cam Disc INCLUDED
(REQUIRED TO OPERATE
4500/4700/4900
SERIES LATCHES)

Stocked in Sacramento only.

Stocked Product

Item #	Handing	Door Thickness	Finish
4569-501-130	LH	1-3/4" - 2"	Satin Aluminum
4569-601-130	RH	1-3/4" - 2"	Satin Aluminum
4569-501-121	LH	1-3/4" - 2"	Bronze
4569-601-121	RH	1-3/4" - 2"	Bronze

- Pre-handing can be specified LH or RH although re-handing in the field is easily accomplished. Standard handles are for 1-3/4" thick doors.
- Packed individually with cam plug handed LH or RH as specified.
- Two 10-32 mounting screws furnished.





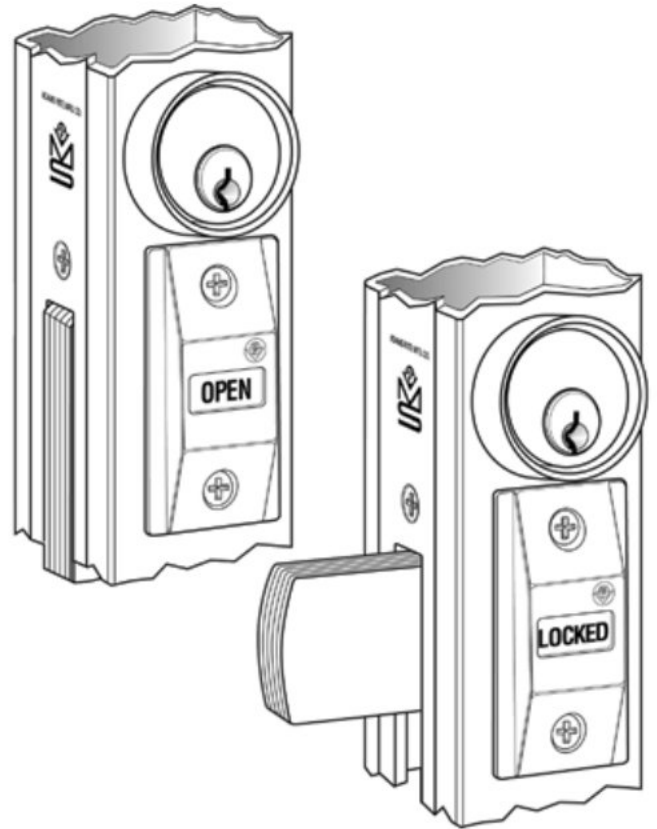
Adams Rite - Store Front Hardware Accessories

4089 Exit Indicator [Price Page](#)

[Vendor Site](#)

Product Description & Features

- **Function:** Provides unmistakable notification of an exit door's "locked" or "open" condition. Under many local building safety codes, this allows the use, in certain occupancies, of a security deadlock instead of less secure panic devices. It includes two permanent adhesive header signs: "THIS DOOR TO REMAIN UNLOCKED DURING BUSINESS HOURS." (That wording is according to Uniform Building Code.) The second sign for NFPA and other local codes reads: "THIS DOOR TO REMAIN UNLOCKED WHEN THE BUILDING IS OCCUPIED."
- **Message Panel:** "OPEN" appears in black letters on white background when lock is retracted and "LOCKED" in red letters when actuated. Also available with red (locked) and green (unlocked) wordless panels.
- **Material/Finish:** Indicator escutcheon is zinc alloy with 130 (Satin Aluminum) Ritecoat finish. Header sign is clear aluminum match with black letters.



COMPATIBLE LOCKS:

- 1830
- 1870
- MS1837
- MS1850S
- MS1850S-505
- MS1850SN
- MS1850SN-505
- MS1860
- MS+1890
- SCH1850S
- SCH1850SN

Stocked Product

Item #	Finish
4089	Aluminum, Duro

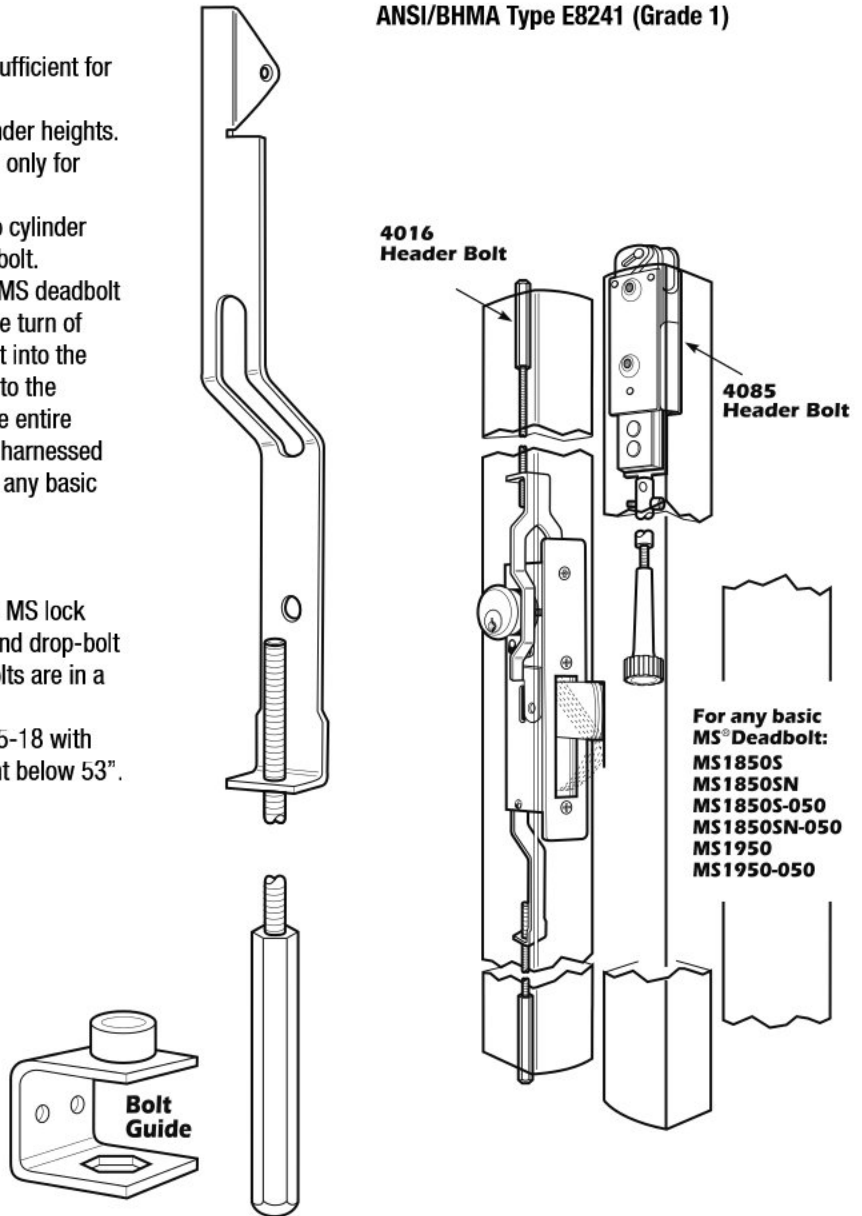


4015 Threshold Bolt for Aluminum Stile Doors

Product Description & Features

- **Cylinder Height:** Standard threshold bolt rod is sufficient for cylinder height up to 53-7/16". It is fully threaded and can be cut off for low cylinder heights. Also available to volume users, cut and threaded only for specific cylinder heights.
- **Adjustment:** Exact adjustment of threaded rod to cylinder height is locked in place by hexagonal threshold bolt.
- **Function:** Adding the 4015 bolt to a pivoted bolt MS deadbolt allows Maximum Security for pairs of doors by the turn of a single key. Simultaneously dropping steel hexbolt into the threshold and pivoting the massive MSA® bolt into the mating door's stile, the two-point lock secures the entire double door entrance. The 4015 threshold bolt is harnessed to the rear of the pivoted bolt. It may be added to any basic MS1850S or MS1850SN deadbolt.
- **Threshold Bolt:** Hexagonal 3/8" flat to flat. Made of stainless steel.
- **Operation:** 360 turn of key or thumbturn in basic MS lock throws counterbalanced bolt into opposite door and drop-bolt into threshold. Key can be removed only when bolts are in a positively locked or unlocked position.
- **Options:** For "universal" application, specify 4015-18 with fully threaded rod for cut off to any cylinder height below 53".

ANSI/BHMA Type E8241 (Grade 1)



Stocked Product
 Item #
 4015



Adams Rite - Store Front Hardware Accessories

4016 Header Bolt for Aluminum Stile Doors

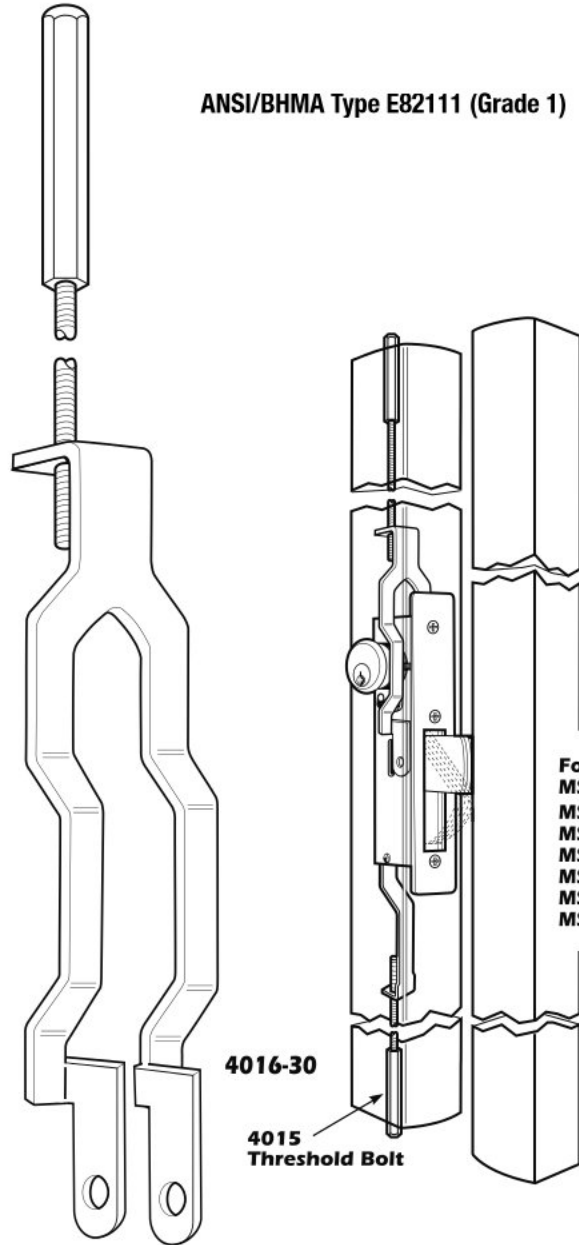
Price Page

Vendor Site

Product Description & Features

- **Strike:** For header bolt a 1/2" diameter hole in metal frame is suitable, or for non metal installations, 4005 strike is available
- **Adjustment:** Exact adjustment of threaded rod to cylinder height is locked in place by hexagonal threshold bolt.
- **Door/Cylinder Height:** The standard version is designed for a 7' door height with cylinder height as low as 35". Can also be ordered for up to 10' door with additional extension.
- **Function:** Adding the 4016 Header Bolt and the 4015 Threshold Bolt to a pivoted MS® deadbolt allows for Maximum Security for pairs of doors by the turn of a single key. Simultaneously extending the stainless steel hexbolts top and bottom and pivoting the massive MS® deadbolt into the mating stile, the three-point lock secures the entire double door entrance. The 4016 can be added to any basic MS1850S, MS1850SN or for two-points top and bottom use with 1870/1870HM Cylinder-Operated Flushbolt. Not applicable to 7/8" backset locks.
- **Header Bolt:** Hexagonal 3/8" flat to flat. Made of stainless steel .
- **Threshold Bolt:** Hexagonal 3/8" flat to flat. Made of stainless steel.
- **Operation:** 360 turn of key or thumbturn in basic MS lock throws counterbalanced bolt into opposite door and hexagonal bolt into header strike. Key can be removed only when bolts are in a positively locked or unlocked position.
- **Options:** For "universal" application, specify 4015-18 with fully threaded rod for cut off to any cylinder height below 53".

ANSI/BHMA Type E82111 (Grade 1)



For any basic MS® Deadbolt:
 MS1850S
 MS1850SN
 MS1850S-050
 MS1850SN-050
 MS1950
 MS1950-050

Stocked Product

Item #	Backset
4016-2001	3-1/32"
4016-3001	1-1/8"



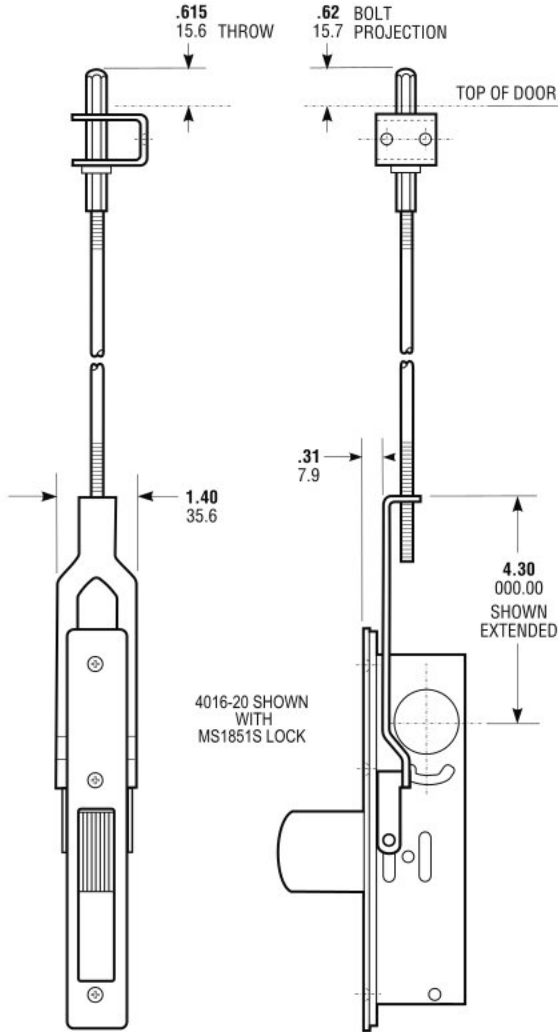
Adams Rite - Store Front Hardware Accessories

Price Page

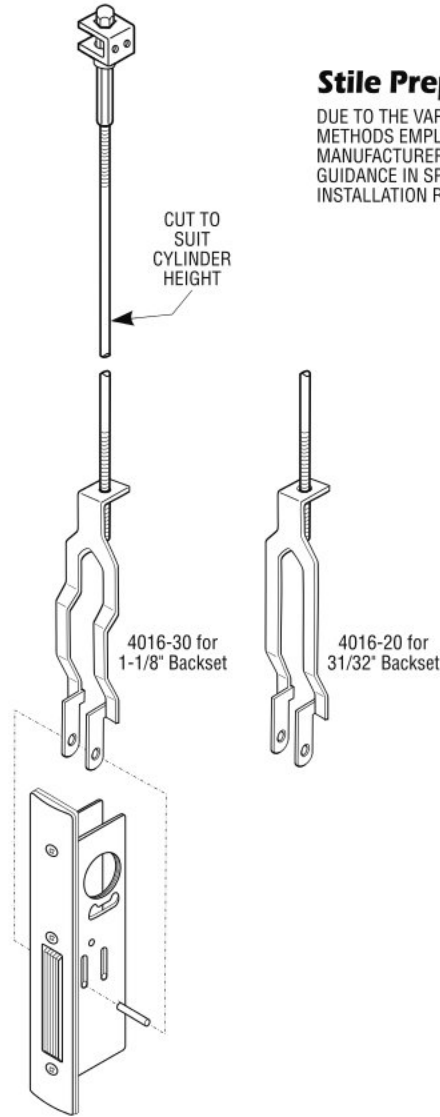
Vendor Site

**INCHES
MILLIMETERS**

Nominal, subject to tolerance extremes.



INSTALL ADAPTOR ARM TO LOCK FROM TOP WITH BOLT RETRACTED AS SHOWN. INSTALL PIN THROUGH SLOTS IN LOCK SIDE PLATES, PASSING THROUGH HOLES IN BOTH SIDES OF THE ADAPTOR ARM.



Stile Preparation

DUE TO THE VARIETY OF CONSTRUCTION METHODS EMPLOYED BY EACH DOOR MANUFACTURER, CONSULT FACTORY FOR GUIDANCE IN SPECIAL PREPARATION AND INSTALLATION REQUIREMENTS.



Adams Rite - Store Front Hardware Accessories

MS1850S Deadbolt for Aluminum Stile Doors (1' x 6-7/8" Faceplate)

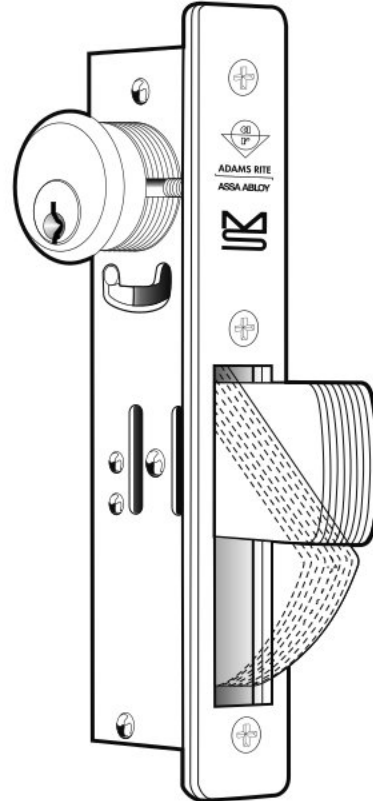
Price Page

Vendor Site

Product Description & Features

- **Cylinder Backset:** 31/32", 1-1/8" or 1-1/2" only
- **Case:** Steel with corrosion-resistant plating. 1" x 6" x depth. (Depth varies by backset.)
- **Function:** A huge bolt of laminated stainless steel, nearly three inches long, activated by an uncomplicated pivot mechanism, has made this basic MS® Deadbolt the standard of the narrow stile door industry. The length of this bolt provides maximum security for a single leaf door, even a very tall and flexible one or an installation where the gap between door and jamb is greater than it should be.
- **Bolt:** 5/8" x 1-3/8" with 13/16" throw. Eight ply laminated stainless steel with Alumina Ceramic core defeats any hacksaw attack (including rod-type "super" hacksaws) while hook shape repels prybar attempts to "spread" door from its jamb or lift it off its track.
- **Strike:** See next page for dimensions of strike slot which can be cut in metal jamb. Trim plate, box strike, and armored strike are also available.
- **Operation:** 360° turn of key or thumbturn throws or retracts the counterbalanced bolt. Key can be removed only when bolt is in a positively locked or unlocked position. Lock accepts any standard 1-5/32" diameter mortise cylinder or thumbturn from either or both sides. Cylinder must have MS® dimensioned cam.

ANSI/BHMA Type E8211, Grade 1



Stocked Product

Item #	Backset	Finish
MS1850S	31/32"	628 Clear Anodized
	1-1/8"	313 Dark Bronze Anodized



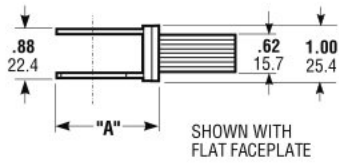
Adams Rite - Store Front Hardware Accessories

Price Page

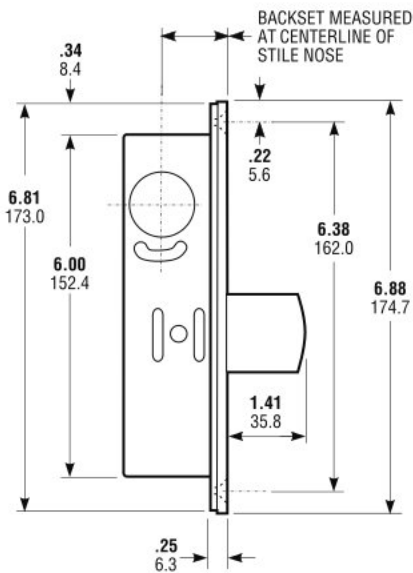
Vendor Site

**INCHES
MILLIMETERS**

Nominal, subject to tolerance extremes.

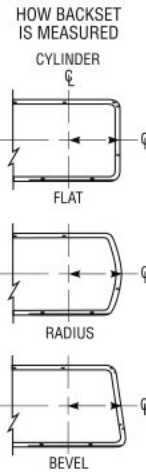
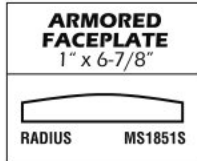


SHOWN WITH
FLAT FACEPLATE

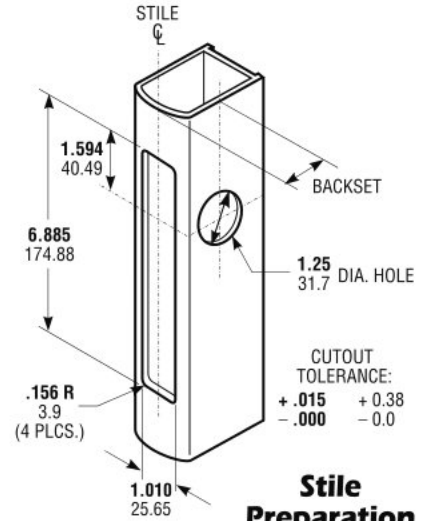


BACKSET MEASURED
AT CENTERLINE OF
STILE NOSE

BACKSET	"A"
31/32" 24.6	1.63 41.4
1-1/8" 28.6	1.78 45.2

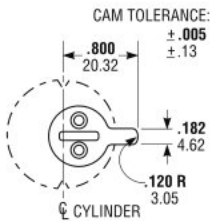


HOW BACKSET
IS MEASURED



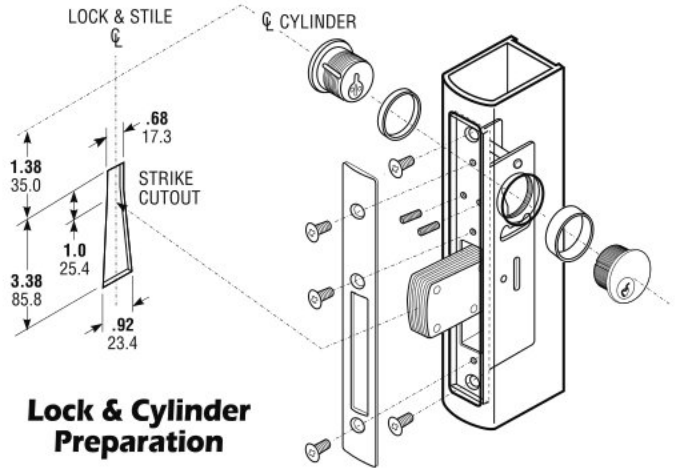
**Stile
Preparation**

CUTOUT
TOLERANCE:
+ .015 + 0.38
- .000 - 0.0



Cylinder Cam

MS1850S Series locks are operable by any standard 1-5/32" diameter mortise cylinder with special MS® cam dimensioned as shown. Cylinders with MS® cams can be readily obtained from most cylinder manufacturers.



**Lock & Cylinder
Preparation**

Stocked Product

Item #	Description	Finish
1851S210	31/32"	628/313
1851S310	1-1/8"	628/313
1851S-050-250	31/32"	628/313
1851S-050-350	1-1/8"	628/313



Adams Rite - Store Front Hardware Accessories

4510 Series Deadlatch Deadbolt for Aluminum Stile Doors

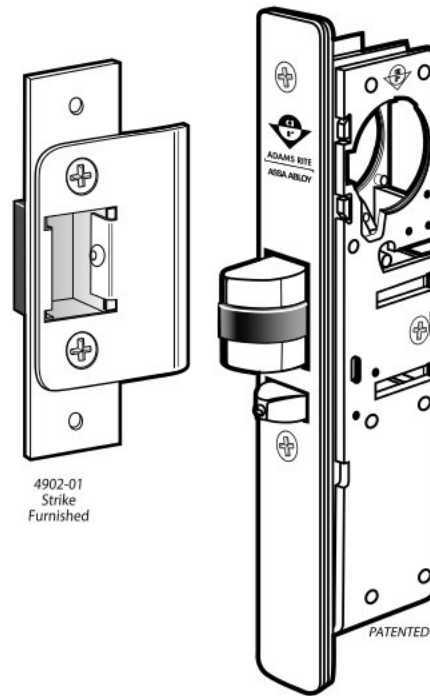
Price Page

Vendor Site

Product Description & Features

- **Cylinder Backset:** 7/8", 31/32", 1-1/8" or 1-1/2" only.
- **Case:** Steel with corrosion-resistant plating. 1" x 5-13/16" x depth. (Depth varies by backset. See table on next page.)
- **Function:** Flexibility of traffic control during and after business hours is offered by 4510 Series Deadlatches. A reverse turn of the key while bolt is held retracted retains the bolt, to allow two-way traffic for hospitals, banks, stores and other buildings which require free entrance at certain times and exit-only at other times. Interchangeable, without stile modification, with any MS1850A or MS1850S deadbolt of same backset and faceplate shape. (They do not, however, provide the same maximum security level as the MS Deadbolt.
- **Latch Bolt:** 1/2" x 1" x 1/2" throw. All metal with hardened steel internal pins. Handing is reversible without special tools.
- **Auxiliary Bolt:** All metal. Deadlocks latch bolt to prevent "loiding" or case-knife entry.
- **Strikes:** Standard strike furnished is 4902-01 for flat jamb where door closes flush or nearly flush. Also available: radius strike for opposite stile in paired doors; longer strike (4901) to cover slot strike of MS® lock; long lip strikes for centerhung doors.
- **Operation:** Turn key or operate handle to retract spring-loaded latch bolt. To hold bolt retracted, push it in and secure by reverse turn of key (see next page). Uses any standard mortise cylinder with MS®cam.

ANSI/BHMA Type E823, Grade 1



Options

Backset, Faceplate Shape, Finish, Strike and Handing must be specified when ordering.

STANDARD PACKAGE

Individually boxed with strike and machine screws for mounting. Cylinders, paddle or handle available at extra cost. Shipping weight: 1-1/4 lbs. Also available in a 25 unit pack for volume users.

Stocked Product

Item #	Backset	Handing	Finish
4510-510	31/32"	LH or RHR	628/313
4510-610	1-1/8"	RH or LHR	628/313



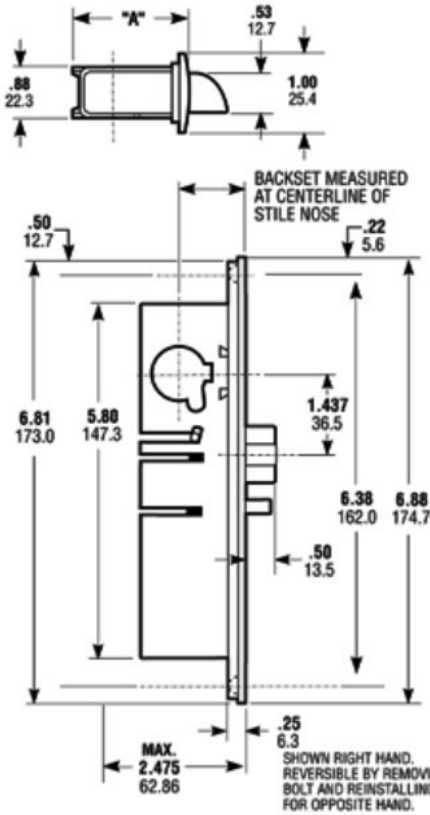
Adams Rite - Store Front Hardware Accessories

Price Page

Vendor Site

**INCHES
MILLIMETERS**

Nominal, subject to tolerance extremes.

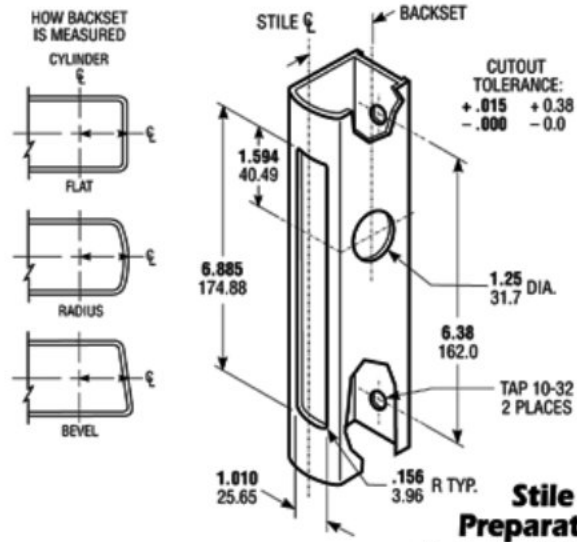
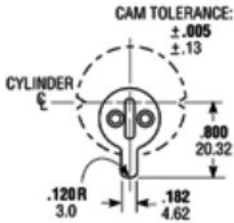


BACKSET	"A"
7/8"	1.51
22.2	38.3
31/32"	1.60
24.6	40.6
1-1/8"	1.76
28.6	44.7
1-1/2"	2.14
38.1	54.3

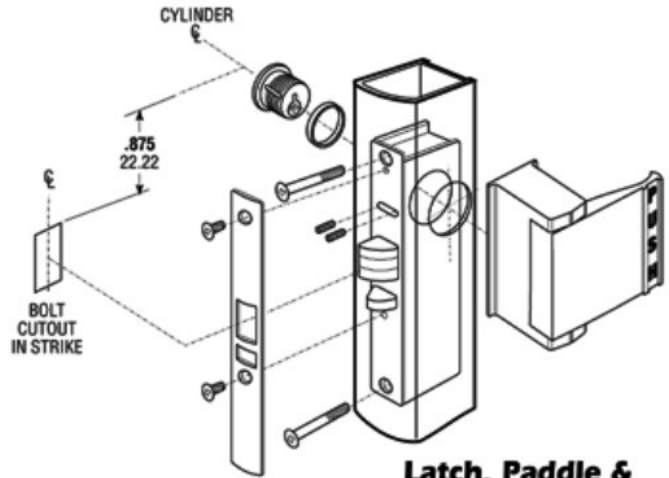
ARMORED FACEPLATE 1" x 6-7/8"	
FLAT	4510
RADIUS	4511
RADIUS w/WEATHERSTRIP	4511W
LH BEVEL	4512(LH)
RH BEVEL	4512(RH)

Cylinder Cam

4510 Series Deadlatches are operable by any standard 1-5/32" diameter mortise cylinder with special MS® cam dimensioned as shown. Cylinders with MS® cams can be readily obtained from most cylinder manufacturers.



Stile Preparation
Identical to MS1850A Series
(See also prep for 4590 Paddle)



Latch, Paddle & Cylinder Installation



Bolt Holdback

A reverse turn of the key (while bolt is held fully retracted) retains the bolt, allowing the door to be free swinging.

Stocked Product - Latch Handle

Item #	Handing	Finish
4569-501	LH or RHR	628/313
4569-601	RH or LHR	628/313