



Hager

Commercial Screws For 1279 Series

Stocked Product	Finishes	Quantity Per Box/Bag
MS050 Machine Screw 1/2" x 12-24	US11 (10A) 26D, US3,	100
WS075 Wood Screw 3/4" x 12 FPHW	US11 (10A) 26D, US3, US4, 15, 26, LI	400
WS125 Wood Screw 1 1/4" x 12 FPHW	US11 (10A), 15, 26, 26D, US3, US4	100
WS200 Wood Screw 2" x 12 FPHW	US11 (10A) 15, US3, US2C (26D)	400



Residential Wood & Machine Screws

Stocked Product	Finishes	Quantity Per Box/Bag
1300 Machine Screw 1/2" x 10-24	US3, 26D	1,200
*2617 Wood Screw 3/4" x 9	10A, 15, 15A, 26, 26D, 1D, 2D, 3, 4, 5 (ABA)	600
2817 Wood Screw 3/4" x 9	10A, 15, 15A, 26, 26D, 1D, 2D, 3, 4, 5 (ABA)	800
2817-1 Wood Screw 1" x 9	10A, 15, 15A, 26, 26D, 1D, 2D, 3, 4, 5 (ABA)	800





Hager

700 - 3 Knuckle Commercial Hinges

Plain Bearing - Standard Weight

For use on medium weight doors or door requiring low frequency service

Gauge of Metal: 0.134
Hole Count: 8
Screw Size: Machine 1/2 x 12-24
Wood 1-1/4 x 12
ANSI A2133

Stocked Product
4-1/2 x 4-1/2 10B, 26D



AB700 - 3 Knuckle Commercial Hinges

Concealed Anti-Friction Bearing - Standard Weight

For use on medium weight doors or door requiring medium frequency service

Hinge size: Inches 4-1/2 x 4-1/2
mm 114 x 114
Gauge of Metal: 0.134
Hole Count: 8
Screw Size: Machine 1/2 x 12-24
Wood 1-1/4 x 12
ANSI A8112

Stocked Product
4-1/2 x 4-1/2 10B, 26D



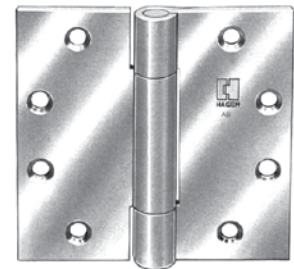
AB750 - 3 Knuckle Commercial Hinges

Concealed Anti-Friction Bearing - Heavy Weight

For use on heavy weight doors or door requiring high frequency service

Hinge size: Inches 4-1/2 x 4-1/2
mm 114 x 114
Gauge of Metal: 0.180
Hole Count: 8
Screw Size: Machine 1/2 x 12-24
Wood 1-1/4 x 12
ANSI A8111

Stocked Product
4-1/2 x 4-1/2 10B, 26D



BB1168 - Full Mortise Hinge

Template Hole Pattern

Full Mortise Hinge

Ball Bearing Heavy Weight

Steel with Steel Pin

ANSI A8111

Hinge Thickness .180 4-1/2" x 4-1/2"
.190 5" x 4-1/2"
Screw Size: Machine 1/2 x 12-24
Wood 1-1/4 x 12

Case lot 24 each

Packaging All machine, 1/2 wood screws

Stocked Product
• BB1168 4 1/2" x 4 1/2" 10B, 26D
• BB1168 5" x 4 1/2" 10B, 26D
• Above sizes available NRP





Hager

BB1191 - Full Mortise Hinge

Stocked Product

- BB1191 4 1/2" x 4 1/2" 26D, 32D
- Also available NRP

Case lot 48 each
 Packaging All machine, 1/2 wood screws

Features:

- Template Hole Pattern
- Full Mortise Hinge
- Ball Bearing Medium Weight
- Brass with Brass Pin
- ANSI A2112
- Stainless Steel with Stainless Steel Pin
- Screw Size: Machine 1/2 x 12-24
Wood 1-1/4 x 12
- ANSI A5112
- Hinge Thickness .134



BB1129 - Half Mortise Hinge

Stocked Product

- NBB1129 4 1/2" 26D with NRP

Features:

- Half Mortise Hinge
- Ball Bearing Standard Weight
- Steel with Steel Pin
- Hinge Thickness .134
- Screw Size: Machine 1/2 x 12-24
- ANSI A8212 screws



BB1173 - Half Surface Hinge

Stocked Product

- BB1173 4 1/2" 26D with NRP

Features:

- Full Mortise Hinge
- Ball Bearing Standard Weight
- Steel with Steel Pin
- Hinge Thickness .134
- Screw Size: Machine 1/2 x 12-24
Wood 2 x 1/4-20
- ANSI A8212 screws



BB1199 - Full Mortise Hinge

Stocked Product

- BB1199 4 1/2" x 4 1/2" 10B, 26D, 32D
- BB1199 5" x 4 1/2" 10B, 26D
- Above sizes stocked NRP

Case lot 24 each
 Packaging All machine, 1/2 wood screws

Features:

- Template Hole Pattern
- Full Mortise Hinge
- Ball Bearing Heavy Weight
- Brass with Stainless Steel Pin
- 5 Knuckle 4 Ball Bearing
- Hinge Thickness .180 4-1/2" x 4-1/2"
.190 5" x 4-1/2"
- Screw Size: Machine 1/2 x 12-24
Wood 1-1/4 x 12





Hager

1250 - Full Mortise Spring Hinge

Stocked Product

- 1250 4 1/2" x 4 1/2"
US10A, US10B, US15, US26D, US3, US4, USP

Case lot 48 each
Packaging All wood,
All machine screws

Features:

Template Hole Pattern
Full Mortise Spring Hinge
Square Corner
Steel ANSI K81071F
Hinge Thickness .134
Screw Size: Machine 1/2 x 12-24
Wood 1-1/4" x 12



1251 - Full Mortise Spring Hinge

Stocked Product

- RC1251 4" x 4"
US10A, US10B, US15, US15A, US26D, US3, US4, USP

Case lot 48 each
Packaging All wood, 1/2 machine screws

Features:

Template Hole Pattern
1/4" Radius
Steel ANSI K81071F
Hinge Thickness .134
Screw Size: Machine 1/2 x 12-24
Wood 1-1/4 x 12



1279 - Full Mortise Hinge

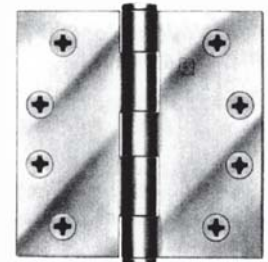
Stocked Product

- 1279 3 1/2" x 3 1/2" 10B, 15, 26D, US3
- 1279 4" x 4" 10A, 10B, 15, 15A, 26, 26D, US3
- 1279 4 1/2" x 4 1/2" 10A, 10B, 15, 15A, 26, 26D, US3, US4, USP

- Above sizes 4" x 4", 4 1/2" x 4 1/2", available NRP
- 1279 special H2H Finish (Galvanized)
3 1/2" x 3 1/2", 4" x 4", 4 1/2" x 4 1/2" NRP only

Features:

Template Hole Pattern
Full Mortise Hinge
Plain Bearing Standard Weight
Steel with Steel Pin
ANSI A8133
Hinge Thickness 3-1/2 x 3-1/2 .119
4 x 4 .129
4-1/2 x 4-1/2 .134
Case lot 48 each 4 x 4, 4-1/2 x 4-1/2, 100 per case 3-1/2 x 3-1/2
Packaging All wood, 1/2 machine screws
Screw Size for 3-1/2 x 3-1/2 : Machine 1/2 x 10-24
Wood 1 x 9
Screw Size for 4 x 4, 4-1/2 x 4-1/2" Machine 1/2 x 12-24
Wood 1-1/4 x 12



BB1279 - Full Mortise Hinge

Stocked Product

- BB1279 4" x 4" 10A, 10B, 15, 15A, 26, 26D, US3, USP
- BB1279 4 1/2" x 4 1/2" 10A, 10B, 15, 15A, 26, 26D, US3, US4, USP
- BB1279 5" x 4 1/2" 10B, 26D
- BB1279 5" x 5" 26D

Above sizes available NRP

Case lot 48 each
Packaging All wood, 1/2 machine screws

Features:

Template Hole Pattern
Full Mortise Hinge
Ball Bearing Standard Weight
Steel with Steel Pin
ANSI A8112
Hinge Thickness 4 x 4 .129
4-1/2 x 4-1/2 .134
Screw Size for 4 x 4, 4-1/2 x 4-1/2: Machine 1/2 x 12-24
Wood 1-1/4 x 12





Hager

RC1279 - Full Mortise Hinge

Stocked Product

- RC1279 3 1/2" x 3 1/2" 10A, 10B, 15, 26D, US3, US4
- RC1279 4" x 4" 10A, 10B, 15, 26D, US3, US4, USP
- 4" x 4" NRP stocked 10A, 15, 26D, US3, US4, 10B

Case lot 3-1/2 x 3-1/2 100 each
4 x 4 48 each
Packaging All wood, 1/2 machine screws

Features:

Template Hole Pattern
Full Mortise Hinge
Plain Bearing 1/4" Radius
Available with NRP (non removable pin)
Hinge Thickness 3-1/2 x 3-1/2 .119
4 x 4 .129

Screw Size for 3-1/2 x 3-1/2 :

Screw Size for 4 x 4 , 4-1/2 x 4-1/2:



Machine 1/2 x 10-24
Wood 1 x 9
Machine 1/2 x 12-24
Wood 1-1/4 x 12

BBRC1279 - Full Mortise Hinge

Stocked Product

- BBRC1279 4" x 4" 10A, 10B, 15, 26D, US3, US4
- Above stocked NRP 10A, 26D

Case lot 48 each
Packaging All wood, 1/2 machine screws

Features:

Template Hole Pattern
Full Mortise Hinge
Ball Bearing 1/4" Radius
Available with NRP (non removable pin)
Hinge Thickness 4 x 4 .129

Screw Size: Machine 1/2 x 12-24
Wood 1-1/4 x 12



RC1741/1741 - Full Mortise Residential Hinge

Stocked Product

- RC1741 3 1/2" x 3 1/2" 10A, 10B, 15, 15A, ID, 26, 26D, 2D, US3, US4, US5, 3LB, LS
- RC1741 4" x 4" 10A, 10B, 15, 15A, ID, 26, 26D, 2D, US3, US4, US5, 3LB, LS

- Most sizes stocked, boxed or bulk
- NRP stocked 4" x 4" only RC1741
- SQ 1741 boxed 3 1/2" x 3 1/2" 10B, 15, 26D, US3
- SQ1741 boxed 4" x 4 10B, 15, 26D, US3

Features:

Template Hole Pattern
Plain Bearing - Residential Weight
Non Template - 1/4" Radius Corner;
Square Corner
Five Knuckle - Removable Pin
Hinge Thickness .085

Case lot 100 each

Packaging All wood

Screw Size: Wood 3/4 x 9



RC1744 - Residential Spring Hinge

FULL MORTISE TEMPLATE FOR AUTOMATIC CLOSING OF DOOR

Stocked Product

- RC1744 4" x 4" 10A, 26D, 2D, US3, L2

Case lot 80 each
Packaging All machine, 1/2 wood screws
Maximum door size - 4" x 4" 3/0 x 7/0

Features:

Template Hole Pattern
1/4" Radius 4" x 4"
Light weight for residential use only
Use with Timely style frames
All machine and 1/2" wood screws
Adjustable tension, three knuckle, adjusting tool included
Hinge Thickness .085

Screw Size: Machine 1/2 x 12-24
Wood 1-1/4 x 12



Note:

1. For maximum versatility use all spring hinges
2. Full spring tension may not be required on all hinges.



Hager

RC1748 - Full Mortise Residential Hinge

Stocked Product

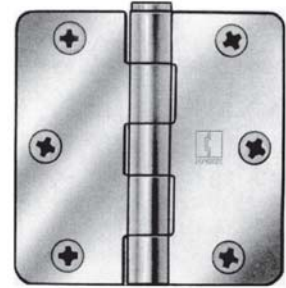
- RC1748 3 1/2" x 3 1/2"
10A, 26D, 2D, US3, L2, LS

Template Hole Pattern:

Case lot 100 each
 Packaging All machine, 1/2 wood screws #9
 Box 2 Each, Sold in Boxes Pack only

Features:

For Timely Frames
 Plain Bearing - Residential Weight
 Template - 1/4" Radius Corner
 Five Knuckle - Reversible - Removable Pin
 Hinge Thickness .085
 Screw Size: Machine 1/2 x 10-24
 Wood 1 x 9



RC1749 - Full Mortise Residential Hinge

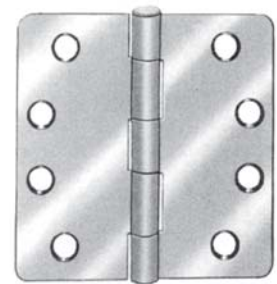
Stocked Product

- RC1749 4" x 4"
10A, 26D, 2D, US3, US5, L2, LS
- RC1749 NRP 4" x 4"
10A, 26D, 2D, US3, L2,

Case lot 48 each
 Packaging All machine, 1/2 wood screws #12 head
 Box 3 Each, Sold in Boxes Pack only

Features:

Template Hole Pattern
 For Timely Frames
 Plain Bearing - Residential Weight
 Template - 1/4" Radius Corner
 Five Knuckle - Removable Pin
 Template Hole Pattern
 Hinge Thickness .085
 Screw Size: Machine 1/2 x 12-24
 Wood 1-1/4 x 12



RC1751, RC1752 - Residential Spring Hinge

Stocked Product

- RC1751 3 1/2" x 3 1/2"
10A, 10B, 26D, 26, 2D, US3, US5, 15, 15A, ID
- RC1752 3 1/2" x 3 1/2"
10A, 10B, 26D, 26, 2D, US3, US5, 15, 15A, ID

Case lot 80 each
 Packaging All wood screws

Features:

Full Mortise - Non Template
 RC1751 1/4" Radius
 RC1752 5/8" Radius
 Size 3-1/2 x 3-1/2
 Hinge Thickness .097
 Screw Size: Wood 3/4 x 9



RC1751, RC1752 - Residential Spring Hinge

Stocked Product

- RC1751 4" x 4"
10A, 10B, 26D, 26, 2D, US3, US5, 15, 15A, ID, US4, US5
- RC1752 4" x 4"
10A, 10B, 26D, 26, 2D, US3, US5, 15, 15A, ID, US4, US5

Case lot 80 each
 Packaging All wood screws

Features:

Full Mortise - Non Template
 RC1751 1/4" Radius
 RC1752 5/8" Radius
 Size 4" x 4"
 Hinge Thickness .097
 Screw Size: Wood 1 x 9





Hager

RC1841 - Full Mortise Residential Hinge

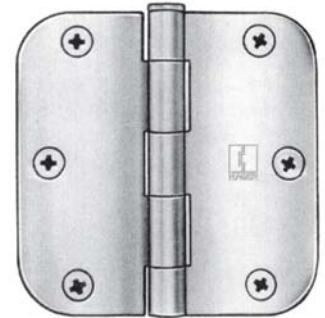
Stocked Product

- RC1841 3 1/2" x 3 1/2"
10A,10B, 26D, 26, 2D, US3, 15,15A, ID, US4, US5,LS, USP,3LB
- RC1841 4" x 4"
10A,10B, 26D, 26, 2D, US3, 15,15A, ID, US4, US5,LS, USP,3LB
- Above sizes stocked bulk, for boxed specify RC1842
- NRP option stocked RC1842 4" x 4" only

Case lot 100 each
 Packaging All wood screws

Features:

- Full Mortise - Non Template Residential Weight
- 5/8" Radius Corner - Bulk Assembled
- Steel Material with Steel Pin
- 5 Knuckle - Reversible
- Hinge Thickness .085
- Screw Size: Wood 3/4 x 9



Roton by Hager - Continuous Hinges

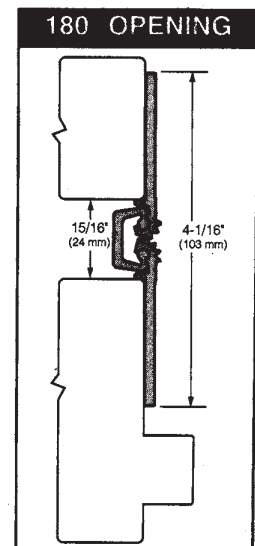
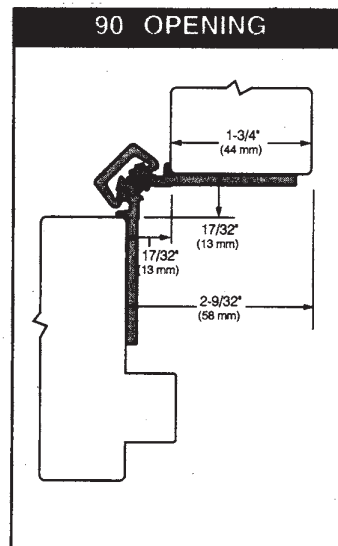
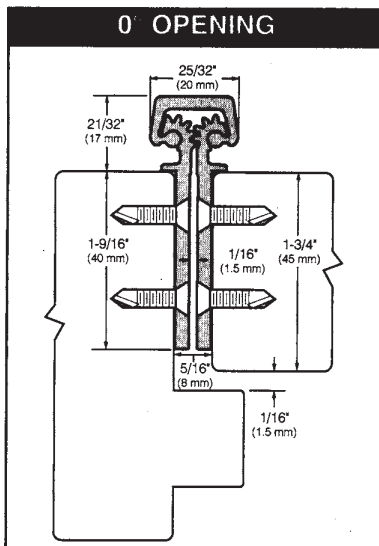
780-112 HD

Stocked Product

- 780-112 83" and 95" Clear

Features:

- Individually packed
- Clearance - 5/16" hinge side
- Fasteners - Dril-kwick screws included
- Length - Stock 83", 95"
- Special order 79", 85", 119"
- Door reinforcement - None up to 200 lbs, use 16 gauge channel
- Frame reinforcement - None up to 200 lbs, use 16 gauge channel
- Fire rating - Up to 3 hours
- HD - Heavy duty





Roton by Hager - Continuous Hinges

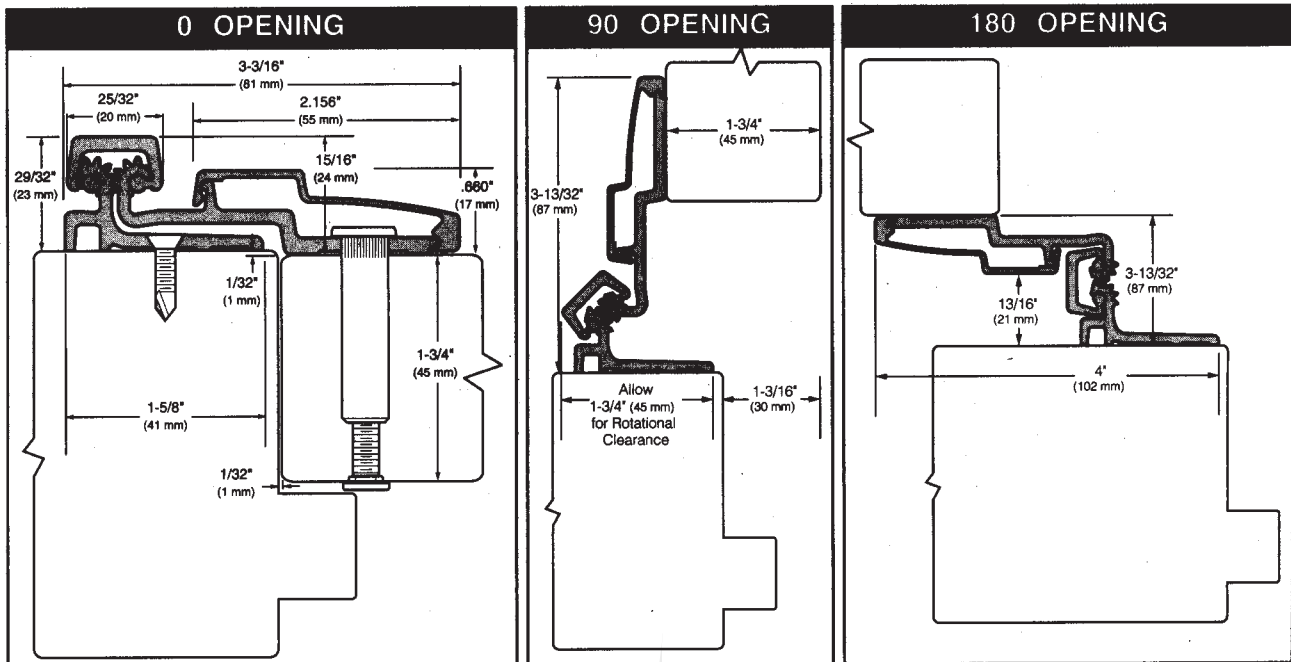
780-210 HD Full Surface

Stocked Product

- 780-210HD 83" and 95" Clear, 83" Dark Bronze

Features:

- Individually packed
- Clearance - None required for hinge side, 1-5/8" minimum frame face required plus 3/16" rotational clearance
- Fasteners - Drill-kwick screws and sexbolts included
- Length - Stock 83", 95"
- Special order 79", 85", 119"
- Door reinforcement - None required
- Frame reinforcement - None required up to 200 lbs, use 16 gauge channel
- Special features - Zero clearance required for hinge side. Can be used with any door and frame material
- HD - Heavy duty, Fire Rated





Roton by Hager - Continuous Hinges

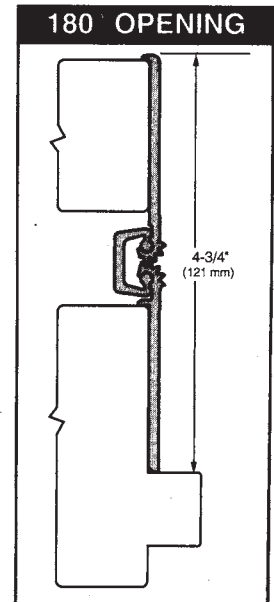
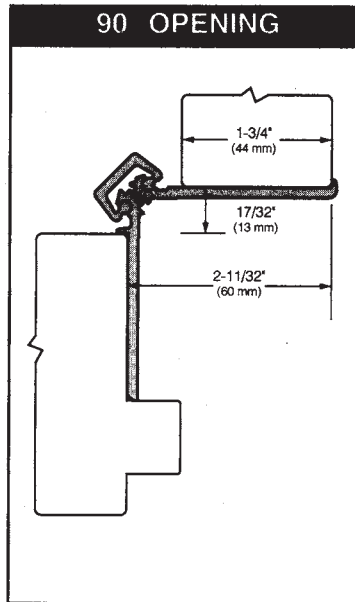
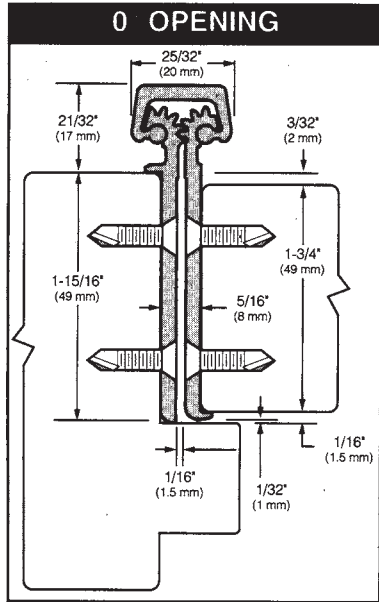
780-224 HD Mortised

Stocked Product

- 780-224HD 83" and 95" Clear

Features:

- Individually packed
- Clearance - 5/16" hinge side
- Fasteners - Drill-kwick screws included
- Length - Stock 83", 95"
- Special order 79", 85", 119"
- Door reinforcement - None up to 200 lbs, use 16 gauge channel
- Frame reinforcement - None up to 200 lbs, use 16 gauge channel
- Fire rating - Up to 3 hours
- HD - Heavy duty





Hager - Ecco Line

EC1100 - Steel with Steel pin

Plain Bearing - Standard Weight

For use on medium weight doors or door requiring low frequency service

Gauge of Metal: 0.134
Hole Count: 8
Screw Size: Machine 1/2 x 12-24
Wood 1-1/4 x 12
ANSI A8133

Stocked Product

4-1/2 x 4-1/2 26D



ECBB1100 - Steel with Steel pin

Ball Bearing - Standard Weight

For use on medium weight doors or door requiring medium frequency service

Gauge of Metal: 0.134
Hole Count: 8
Screw Size: Machine 1/2 x 12-24
Wood 1-1/4 x 12
ANSI A8133

Stocked Product

4-1/2 x 4-1/2 26D
Also NRP



ECRCBB1100 - Steel with Steel pin

Ball Bearing - Standard Weight

For use on medium weight doors or door requiring medium frequency service

- * Two ball bearings
- * Non-rising removable pin with button tip and plug
- * Round corner with 1/4" radius standart

Gauge of Metal: 0.129
Hole Count: 8
Screw Size: Machine 1/2 x 12-24
Wood 1-1/4 x 12
ANSI A8112

Stocked Product

4 x 4 10B, 26D



EC1105 - Steel Spring

For automatic closing of door. Meets codes for hotels, motels, institutions and commercial buildings.

- * For use on 1-3/4" doors
- * For maximum versatility use all spring hinges or a combination of spring and ball bearing hinges. Do not use plain bearing hinges.
- * Full spring tension may not be required on all hinges
- * Strong wind conditions, carpeting drag, twisted/misaligned frames, or weatherstripping on doors may require additional spring hinges

Gauge of Metal: 0.129
Hole Count: 8
Screw Size: Machine 1/2 x 12-24
Wood 1-1/4 x 12
ANSI K81071F

Stocked Product

4-1/2 x 4-1/2 26D

