



LCN - Closers

1260 - Series Closers

The LCN 1260 Series combines the best features from the previous 1070 and 1370 into a single versatile and economical cast iron closer, with dual mounting capability. The 1260 is adjustable spring sizes 1-5 and mounts to the most common commercial footprint. The 1260 also features a complete line of regular and extra duty arms, LCN's peel-n-stick installation templates, a convenient spring adjust pointer, and an optional Quick Fix™ bracket kit.

UL and cUL listed for self-closing doors without hold-open. Tested and certified under ANSI Standard A156.4, grade one.

CLOSER MOUNTS
*HINGE (PULL) SIDE
TOP JAMB (PUSH SIDE)
PARALLEL ARM (PUSH SIDE)



Features:

- Standard 1260 series closer shipped with regular arm, a shaft cover, and self reaming and tapping screws.
- Non-sized (1-5) cylinder is adjustable for interior doors to 4'6" and exterior doors to 3'6".
- Closer mounts hinge side, top jamb and parallel arm on either right or left swinging doors.
- Mounts to most common commercial footprint (3/4" x 9 1/16").
- Closer meets ADA requirements.
- Optional Quick Fix™ bracket kit.
- Optional SRI primer for installations in corrosive conditions.
- Optional Slim Line cover. (Special Order Only)

Stocked Product:

1261 RW/PA: AL (689) & DRK BRZ (695)



LCN - Closers

1461-Series Closers

The 1460 SUPER STOCK is a double lever arm, slim line closer designed for use on narrow head frames and top rails. A wide choice of options, mounting accessories and ease of installation offers maximum versatility.



UL and ULC listed for self-closing doors without hold-open. Tested and certified under ANSI Standard A156.4, grade one.

Features:

- Standard 1460 series closer shipped with regular arm (non-hold-open), a slim line non-metallic cover, and thru bolts with machine screw packs.
- Non-sized cylinders adjustable for interior doors to 5'0" and exterior doors to 4'0"
- Closer mounts hinge side, top jamb, and parallel arm on either right or left swinging doors. All closers are stocked tri pack with parallel arm bracket.
- Closers meet ADA requirement.

Stocked Product

- Hold open (H) Non handed arm mounts hinge side or top jamb
- H CUSH Non handed parallel arm features solid forged steel main arm and forearm with stop in soffit shoe
- DEL Delay closing from 110° to 65° or 160° to 75° depending on templating. Delay time up to 1 minute
- EDA Extra duty arm non handed parallel arm features forged solid steel main and forearm for potentially abusive installations

Finishes: Aluminum and Dark Bronze

4010 -Series Closers

Features:

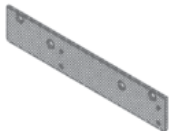
- Regular arm with non metallic cover
- Non sized cylinder adjustable
- Hinge size mounting
- Designed for high traffic applications

Specifications

- Meets ANSI A156.4 Grade 1
- Handed
- 10 year warranty

Stocked Product

Finish: Aluminum

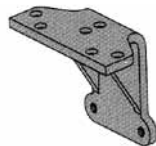


1460-18

Drop plate used with standard slim line cover

Stocked Product

Finish: Aluminum



1460-62A

Optional shoe replaces -62PA for parallel arm mounting of regular arm with Glynn-Johnson overhead holder stop. Special templating required.

Stocked Product

Finish: Aluminum



1460-30

Provides anchor for fitting screw used with CUSH arms where reveal is less than 3-1/16"

1460-61

Lowers parallel arm shoe to clear 1/2"

Stocked Product

Finish: Aluminum

Drop plate used with standard slim line cover

- Required for hinge side mount where top rail is less than 2-1/2"
- Required for top jamb mount where head frame is less than 1-3/4"
- Plate requires minimum 1-1/2" top rail or 1-1/4" head frame





LCN - Closers

4041-Series Closers

The 4040 SUPER SMOOTHIE is a heavy duty, double lever arm closer designed for institutional and other high traffic applications. The wide choice of options, installation accessories and ease of installation offers maximum versatility. UL and ULC listed for self-closing doors without hold-open. Tested and certified under ANSI Standard A156.4, grade one.



Features:

- Standard 4040 series closer shipped with regular arm (non-hold-open), standard non-metallic cover, and thru bolts with machine screw packs.
- Non-sized cylinders adjustable for interior doors to 5'0" and exterior doors to 4'0"
- Closer mounts hinge side, top jamb, and parallel arm on either right or left swinging doors. All closers are stocked tri pack with parallel arm bracket except XP.
- Closers are packed 4 per case, packed with thru-bolt (TB) and self reaming, tapping screws (SRT)

Stocked Product:

- Standard 4011 - AL, DB
- CUSH option - parallel arm feature with solid forged steel main arm and forearm with stop in soffit shoe. - AL, DB
- HCUSH option - hold open function with templated stop / hold open point. Handle in arm controls hold open function. - AL
- Extra Duty (EDA) option - parallel arm features forged, solid steel main arm and forearm for high frequency doors. - AL, DURO
- Delayed Action (DA) - delays closing from 120° to 80°. Delay time adjustable up to 1 minute. - AL
- Hold Open - arm mounts pull side or top jamb with shallow reveal hold open adjustable shoe. - AL, DB
- SCUSH: Optional non handed parallel arm for abusive applications, features solid forged steel main arm and forearm with spring loaded stop in the soffit shoe. Handle in arm controls hold open function. - AL
- SH CUSH: Optional non handed parallel arm for abusive applications; features solid forged steel main arm and forearm with spring loaded stop in the soffit shoe. Hand controls hold-open function. - AL
- XP EDA arm with extra duty pinion. - AL, DB

4111-Series Closers

The 4110 SMOOTHIE is a heavy duty, parallel arm closer designed for institutional and other high traffic applications. This handed closer is specifically designed for parallel arm mounting and has passed 10,000,000 cycles in independent testing. The wide choice of options, installation accessories and ease of installation offers maximum versatility.



The 4110 Series is UL and ULC listed for self-closing doors without hold-open. Tested and certified under ANSI Standard A156.4, grade one.

Features:

- Standard 4110 series closer shipped with non-hold-open Extra Duty (EDA) arm, standard non-metallic cover, 4110-201 FIFTH SCREW SPACER and thru bolts with machine screw packs.
- Sized cylinders adjustable for interior doors to 5'0" and exterior door to 4'0"
- Non-sized cylinder adjustable for interior doors to 4'6" and exterior doors to 3'6"
- Closer mounts parallel arm, specify right or left swinging door.
- 4111 cylinder meets ADA requirements.
- Stocked Aluminum, Dark Bronze

Stocked Product:

Item #	Handing	Finish
4111	LH, RH	Aluminum, Dark Bronze





LCN - Closers

2030-Series Closers

The concealed 2030 Series PACER® is a heavy duty closer designed to fit in a narrow, minimum 1 3/4" aluminum transom. The single lever arm and roller assembly provide smooth, quiet door control and the choice of finishes and track functions meet virtually all architectural requirements. The 2030 Series is UL & cUL listed for self-closing doors, without hold-open. Tested and certified under ANSI Standard A156.4, grade 1.



Features:

- Standard 2030 series closer shipped with standard arm, standard track, mounting/finish plate, and wood and machine screw pack.
- Sized cylinders for interior doors to 4'6" and exterior doors to 3'6".
- Handed for right or left swinging doors.
- Aluminum frame requires minimum 1 3/4" (44 mm) x 4" (102 mm) tube.
- Closer 2031 to meet ADA requirements.
- Standard or optional custom powder coat finish.
- Optional plated finish on arm, fasteners and finish plate.

Stocked Product

Part#	Description	Finish
2031	LH (ADA)	AL
2031	RH (ADA)	AL
2033	LH Size 3	AL
2033	RH Size 3	AL
2034	LH Size 4	AL
2034	RH Size 4	AL



LCN - Closers



Thru Bolt Only
For 1-3/4" door (less screw)

Stocked Product
Finish: Aluminum, Dark Bronze



PA SHOE 4040-62

Stocked Product
Finish: Aluminum



ADAFG
Force Gauge

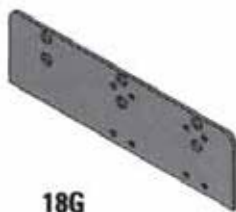
4000 - Series Accessories



18

PLATE 4040-18
Required for hinge side mount where top rail is less than 3-3/4". Plate requires minimum 2" top rail.

Stocked Product
Finish: Aluminum, Dark Bronze



18G

PLATE 4040-18G
Locates top jamb mounted closer flush with top of head frame face in flush ceiling condition. Plates requires 1-3/4" minimum head frame.

Stocked Product
Finish: Aluminum, Dark Bronze



18PA

PLATE 4040-18PA
Required for parallel arm mounting where top rail is less than 5-1/2" (140mm), measured from the stop. Plate requires 2" (51mm) minimum top rail.

Stocked Product
Finish: Aluminum, Dark Bronze



18TJ

PLATE 4040-18TJ
Centers top jamb mounted closer vertically on head frame face in flush ceiling condition. Plate requires 1-3/4" minimum head frame.

Stocked Product
Finish: Aluminum, Dark Bronze

4110 - Series Accessories



PLATE, 4110-18
Required for push side mount where top rail is less than 5-1/8", measured from the stop. Plate requires minimum 2" minimum top rail. Plate also used with Cush Arm installation.

Stocked Product
Finish: Aluminum, Dark Bronze





LCN - SEM 7800 Series

7850 - Series Magnets

Standard profile recessed wall mount.

2" (51 mm) x 4" (102 mm) x 1 1/2" (38mm).

Outlet box not included.

Also available 1980 plastic housing.

SEM 7850



SEM 1980

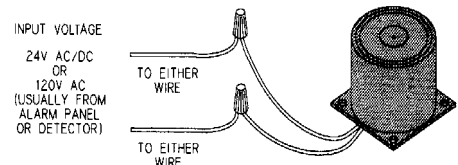
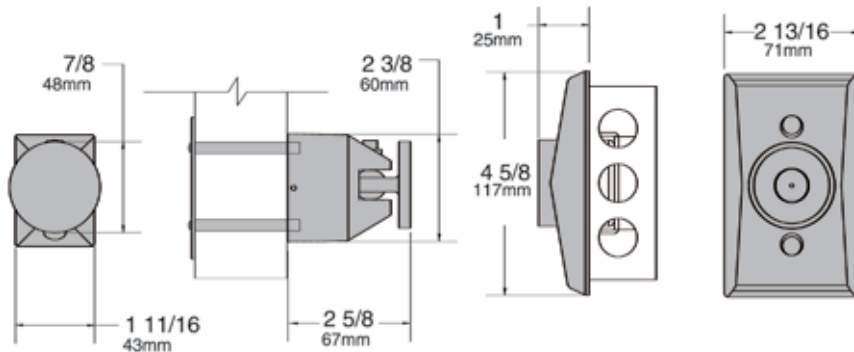
Plastic Housing



Total Projection = 3 5/8" (92 mm)

Dimensions apply for both SEM 7850 & SEM 1980

ELECTRICAL DATA



24V AC/DC or 120V AC input.
Heavy duty electromagnet is protected against transients and voltage surges up to 600 volts.
24V AC/DC nominal
+10%- 15% @ .110 amp. maximum.
120V AC nominal
+10% -15% @ .020 amp. maximum.
An SED transformer (4040SED-321 0) can be used to reduce line voltage where desired. It will power up to three magnets.
Primary 120V AC 50-60 Hz
Secondary 24V AC @ .400 amp. maximum.

Stocked Product

689 (alum), 695 (duro)

Stock options extensions: 1/2", 3/4" and 1"

