



Bobrick - Washroom Accessories



PRESTIGE BUILDINGS

Corporate Headquarters
Class A Office Projects
Civic Center Icons
Universities

Restroom Usage and Accessory Requirements:

Low to moderate traffic
Minimal use and abuse
Architectural design excellence
Quality materials and equipment



HEAVY TRAFFIC BUILDINGS

Heavy Traffic Buildings
K-12 Schools
Retail Malls
Amusement, Recreation
Transportation Centers

Restroom Usage and Accessory Requirements:

Periods of extreme traffic flows
Vandal-prone use and abuse
Equipment durability over design
Extra-large capacities



STANDARD USE BUILDINGS

Commercial Office Facilities
Healthcare Centers
Hospitality Projects
Manufacturing Plants

Restroom Usage and Accessory Requirements:

Moderate to heavy traffic
Some heavy use and abuse
Equipment durability important
Budget-sensitive specifications

Conversion Chart

ASI #	Bobrick#	Moen/CSI
0185	7120	
0030	2888	
0332	822	
0469	3944	
0620	165	
3700	5806	
0210	262	
0347	2111	
0477SM	221	
0462AD	369	
0828	279	
0535	293	
0852	254	
0345	2112	
0710		110CH
7305-S		P1780



Bobrick – Washroom Accessories

B5806 - Series

GRAB BARS - CONCEALED MOUNTING WITH SNAP FLANGE

FEATURES

- Constructed of 18-gauge (1.2mm), type 304 satin-finish stainless steel tubing in 1 1/4" diameters.
- Concealed mounting flange 1/8" (3mm) thick, type 304 stainless steel plate, 2" W x 3 1/8" H (50 x 80mm), with screw holes for concealed anchors.
- Cover is 22-gauge (0.8mm), type 304 stainless steel with satin finish, 3 1/4" (85mm) diameter.
- Cover snaps over mounting flange to conceal screws.
- Peened nonslip gripping surface available.
- Optional mounting kits and anchor devices are available.

GRAB BAR BARRIER-FREE WASHROOM GUIDELINES:

Diameter of grab bars should be 1 1/4" to 1 1/2" (32–38mm) with 1 1/2" (38mm) clearance from the wall. Grab bars should not rotate in their fittings. The required mounting height is universally 33" to 36" (840–915mm) from the centerline of the grab bar to the finish floor. The structural strength of all grab bars and their mounting devices should withstand more than 250 pounds of force (1112 N). For all Barrier-Free toilet compartments, individual toilet rooms and guest bathrooms, it is recommended that a 36" (915mm) minimum horizontal grab bar be installed on the back wall over the toilet and a 42" (1065mm) minimum horizontal grab bar be installed on the side wall or partition nearest the toilet. This can also be accomplished with a single horizontal two-wall grab bar.



Stocked Product

1 1/4" (32MM) DIA. STRAIGHT/SATIN

B-5806x36" (915mm)

B-5806x42" (1065mm)

B-5806x48" (1220mm)



B293 - Series

FIXED-POSITION TILT MIRRORS

FEATURES

Provide visibility for wheelchair patients. Frame is type 304 stainless steel, satin finish. Beveled edges of frame hug mirror; provides gapless fit for improved appearance, and safety when cleaning mirror. No. 1 quality, 1/4" (6mm) glass mirror electrolytically copper plated. Mirror extends 4" (100mm) from wall at top and tapers to 1" (25mm) at bottom.

Stocked Product

B-293 1830 - 18" x 30"



B165 - Series

CHANNEL-FRAME MIRRORS

FEATURES

- One-piece, roll-formed 3/4" x 3/4" (19 x 19mm) angle-frame
- Type 304 stainless steel angle with satin finish
- Corners heliarc welded, ground and polished smooth
- Beveled frame edge at mirror for improved appearance
- No. 1 quality, 1/4" (6mm) glass mirror; warranted against silver spoilage for 15 years
- Galvanized steel back
- Secured to concealed wall hanger with theft-resistant mounting

Stocked Product

B-165 2436 - 24" x 36"

B-165 1830 - 18" x 30"





Bobrick - Washroom Accessories

B254 - Classic Series

**SURFACE-MOUNTED
SANITARY NAPKIN DISPOSAL**

FEATURES

Satin-finish stainless steel. Door has tumbler lock. Self-closing panel covers disposal opening. Removable, leak-proof, 1.2-gal. (4.6-L) plastic receptacle. Unit 10 11/16" W, 15 1/8" H, 4 1/16" D (270 x 385 x 105mm). Universal/Barrier-Free Mtg. Ht.: 30" (760mm) to top of unit.

Stocked Product

B-254



B221 - Classic Series

SURFACE MOUNTED SEAT-COVER DISPENSER

FEATURES

Satin-finish stainless steel. Dispenses 250 single- or half-fold toilet seat covers. Fills from bottom. Unit 15 3/4" W, 11" H, 2" D (400 x 280 x 50mm). Av. Mtg. Ht.: 45-59" (1145-1500mm) to top of unit, Barrier-Free, 30-48" (760-1220mm). Allow 5" (125mm) minimum clearance from bottom of dispenser to top of any horizontal projection for filling dispenser from below unit.

Stocked Product

B-221



B2888 - Classic Series

**SURFACE-MOUNTED MULTI-ROLL TOILET
TISSUE DISPENSER**

FEATURES

Satin-finish stainless steel unit with stainless steel dispensing mechanism. Door has flat face with protruding tumbler lock. Holds two rolls up to 5 1/4" (135mm) diameter (1800 sheets). Extra roll automatically drops in place when bottom roll is depleted. Theft-resistant, heavy-duty spindles. Unit 6 1/16" W, 11" H, 5 15/16" D (155 x 280 x 150mm). Av. Mtg. Ht.: 28-36" (710-915mm) to top of unit; Barrier-Free, 28" (710mm).

Stocked Product

B-2888



B262 - Classic Series

**SURFACE-MOUNTED
PAPER TOWEL DISPENSER**

FEATURES

Satin-finish stainless steel. Dispenses 400 C-fold or 525 multifold towels measuring 3 1/8" to 3 13/16" (79-97mm) deep without adjustment or adapters. Door has tumbler lock and piano-hinge. Cabinet slots indicate refill time. Unit 10 3/4" W, 14" H, 4" D (275 x 355 x 100mm). Av. Mtg. Ht.: 66-70" (1675-1780mm) to top of unit; Barrier-Free, 54" (1370mm).

Stocked Product

B-262





Bobrick - Washroom Accessories

B279 - Classic Series

SURFACE MOUNTED WASTE RECEPTACLE

FEATURES

Satin-finish stainless steel. Bottom edges hemmed for safety. Hooks hold furnished reusable vinyl liner; removable for servicing. Capacity: 6.4-gal. (24.2-L). Unit 14" W, 18" H, 6" D (355 x 455 x 150mm).

Stocked Product

B-279



B72974

SURFACE-MOUNTED PLASTIC, AUTOMATIC, UNIVERSAL ROLL TOWEL DISPENSER



Introducing Bobrick's new addition to a complete line of Automatic, Universal Roll Towel Dispensers:

Surface-Mounted Plastic, Automatic Roll Towel Dispenser, Model No. B-72974

The new Surface-Mounted Plastic Automatic Roll Towel Dispenser is a perfect complement to our stainless steel line of dispensers where budget is a concern, yet the building owner wants to maintain a high level of design, function, and flexibility.

FEATURES

- Automatic, hygienic, hands free operation.
- Universal roll towel dispenser offers flexibility and freedom from expensive proprietary paper.
- Dispenses universal, 1-1/2" to 2" diameter core, up to 8" diameter, 8" wide, nonperforated, non-proprietary rolls.
- Four paper saving features allow building owner to control cost of paper towels and comply with US EPA Reduce & Reuse Resource Conservation Initiative
 - Adjustable towel lengths set at 9", 12", or 15"
 - Adjustable time delays on second activation set at 1, 2, or 3 seconds
 - Paper Saver Feature with two optional sheet lengths on second activation: 25% or 12.5% shorter
 - Stub roll dispensing accommodates up to 3-1/2" diameter stub-roll with automatic transfer to full roll
- Extended 300,000-cycle, 1-year battery life with low battery indicator light; AC adapter available.
- Easy access battery compartment located in the front of cabinet.
- Durable beige body made with high-impact resin plastic and a navy translucent cover that allows view of the paper supply.

Stocked Product

B-72974

B3944 - Classic Series

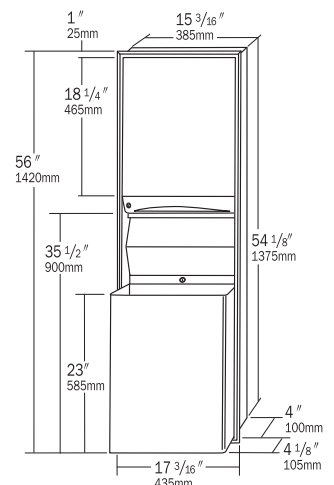
RECESSED CONVERTIBLE PAPER TOWEL DISPENSER/WASTE RECEPTACLE

FEATURES

Unit includes convertible folded paper towel module and 12-gallon waste receptacle module which can be interchanged with a universal touch-free roll towel module and 18-gallon waste receptacle module, respectively. Cabinet is not replaced when changing modules. Satin-finish stainless steel. Seamless beveled flange. Dispenses 600 C-fold or 800 multifold towels. Removable waste receptacle is locked into cabinet. Receptacle is 8" (205mm) deep with capacity of 12-gal. (45.4-L); extends 4 1/8" (105mm) from wall. Rough Wall Opening: 16" W, 54 3/4" H, 4" min. depth (405 x 1390 x 100mm). Av. Mtg. Ht.: 67-74" to top of unit; Barrier-Free, 601/2".

Stocked Product

B-3944





Bobrick – Washroom Accessories

B822 - Series

SOAP DISPENSERS

Stocked Product

B-822



FEATURES

For ease of maintenance and labor savings • Vandal-resistant locking cover and free-turning spout • Corrosion-resistant • Bright-polished spout, cover and escutcheon • High-impact-resistant ABS body and shank • Shatter-resistant polyethylene container • Patented • 34 fl. oz. capacity, 4" spout



B-822

B2112 - Classic Series

SURFACE MOUNTED SOAP DISPENSER

Stocked Product

B-2112



FEATURES

Horizontal tank is satin-finish stainless steel. Valve dispenses all-purpose hand soaps. Capacity: 40-fl oz (1.2-L). Soap refill window. Concealed wall fastening. Hinged filler-top requires special key to open. Vandal-resistant. Unit 8 1/8" W, 4 3/4" H (205 x 120mm); wall to pushbutton, 3 1/2" (90mm). Universal/Barrier-Free Mtg. Ht.: 47 1/2" (1205mm) to top of unit with pushbutton 44" (1120mm) above floor. Patented.



B2111 - Classic Series

SURFACE MOUNTED SOAP DISPENSER

Stocked Product

B-2111



FEATURES

Vertical tank is satin-finish stainless steel. Valve dispenses all-purpose hand soaps. Capacity: 40-fl oz (1.2-L). Soap refill window. Concealed wall fastening. Hinged filler-top requires special key to open. Vandal-resistant. Unit 4 3/4" W, 8 1/8" H (120 x 205mm); wall to pushbutton, 3 1/2" (90mm). Universal/Barrier-Free Mtg. Ht.: 50 7/8" (1290mm) to top of unit with pushbutton 44" (1120mm) above floor. Patented.



B4112 Contura Series

SURFACE MOUNTED SOAP DISPENSER

FEATURES

Corrosion-resistant valve dispenses commercially marketed all-purpose hand soaps. Container is satin-finish stainless steel. Capacity: 40-fl oz (1.2-L). Soap refill window. Concealed wall fastening. Hinged filler-top requires special key to open. Vandal-resistant. Unit 7" W, 6 1/8" H (180 x 155mm); wall to push-button, 3 5/16" (85mm). Universal/Barrier-Free Mtg. Ht.: 49" (1245mm) to top of unit with push-button 44" (1120mm) above floor.



Stocked Product

B-4112





Bobrick - Washroom Accessories

B7120 - Series

SURFACE-MOUNTED HAND DRYER

FEATURES

Surface-Mounted Warm-Air Hand Dryers featuring a 4" projection for ADA and barrier-free compliance and low-profile, architectural styling. 70% recycled satin-finish stainless steel (B-7128) or white-coated steel (B-7120) covers with black trim and side panels are available. Features include an optimum balance of fast drying time and a moderate sound level (73 dBA). Dual parallax air flow delivers a broad warm air pattern for a comfortable hand dry. Paper towels are eliminated reducing costs by 95%, operation is energy-efficient. Motor and brushes are warranted for 3 years, all other parts for 10 years.

Stocked Product

B-7120



B4369 - Contura Series

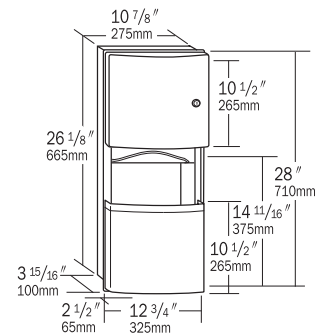
RECESSED PAPER TOWEL DISPENSER/WASTE RECEPTACLE

FEATURES

Satin-finish stainless steel. Flush tumbler lock. Dispenses 350 C-fold or 475 multifold towels. Waste receptacle has 2.6-gal. (9.8-L) capacity; extends 2 1/2" (65mm) from wall. Removable front panel for easy cleaning. Rough Wall Opening: 11 3/8" W, 26 5/8" H, 4" min. depth (290 x 675 x 100mm). Av. Mtg. Ht.: 71" (1805mm) to top of unit; Barrier-Free, 52 3/4" (1340mm).

Stocked Product

B-4369



B43644 - Contura Series

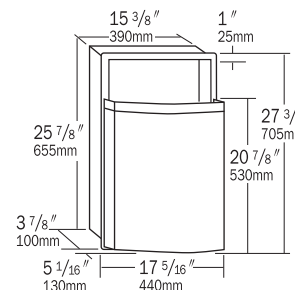
RECESSED WASTE RECEPTACLE

FEATURES

Satin-finish stainless steel. Removable front panel for easy cleaning. Capacity: 11.2-gal. (42.2-L). Rough Wall Opening: 15 7/8" W, 26 1/4" H, 4" min. depth (405 x 665 x 100mm). Universal/Barrier-Free Mtg. Ht.: 43-47" (1090-1195mm) to top of unit.

Stocked Product

B-43644



B4288 - Contura Series

SURFACE MOUNTED MULTI-ROLL TOILET TISSUE DISPENSER

FEATURES

Satin-finish stainless steel unit with stainless steel dispensing mechanism. Flush tumbler lock. Holds two rolls up to 5 1/4" (135mm) diameter (1800 sheets). Extra roll automatically drops in place when bottom roll is depleted. Theft-resistant, heavy-duty spindles. Unit 6 1/16" W, 11" H, 5 15/16" D (155 x 280 x 150mm). Av. Mtg. Ht.: 28-36" (710-915mm) to top of unit; Barrier-Free, 28" (710mm).

Stocked Product

B-4288





Bobrick - Washroom Accessories

B4262 - Contura Series

SURFACE-MOUNTED PAPER TOWEL DISPENSER

FEATURES

Satin-finish stainless steel. Tumbler lock on top of cabinet. Door swings down for loading towels. Dispenses 400 C-fold or 525 multifold towels measuring 3 1/8" to 3 13/16" (79–97mm) deep without adjustment or adapter. Furnished with internal towel tray adapter kit for dispensing narrower towels 2 1/2" to 3 1/8" (64–79mm) deep. Cabinet slots indicate refill time. Unit 10 13/16" W, 13 1/4" H, 4 11/16" D (275 x 335 x 120mm).

Stocked Product

B-4262



B4221 - Contura Series

SURFACE MOUNTED SEAT-COVER DISPENSER

FEATURES

Satin-finish stainless steel. Dispenses 250 single- or half-fold toilet seat covers. Fills from bottom. Unit 15 3/4" W, 11 1/4" H, 2 1/16" D (400 x 285 x 55mm). Av. Mtg. Ht.: 45–59" (1145–1500mm) to top of unit, Barrier-Free, 30–48" (760–1220mm). Allow 5" (125mm) minimum clearance from bottom of dispenser to top of any horizontal projection for filling dispenser from below unit.

Stocked Product

B-4221



B270 - Contura Series

SURFACE MOUNTED SANITARY NAPKIN DISPOSAL

FEATURES

Satin-finish stainless steel. Cover is drawn, one-piece construction; secured to cabinet with full-length stainless steel piano-hinge. Capacity: 1.0-gal. (3.8-L). Unit 7 1/2" W, 10" H, 3 13/16" D (190 x 255 x 95mm). Universal/Barrier-Free Mtg. Ht.: 25–30" (635–760mm) to top of unit..

Stocked Product

B-270





ABS-AMERICAN BUILDING SUPPLY, INC.